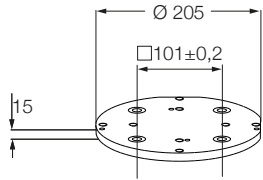


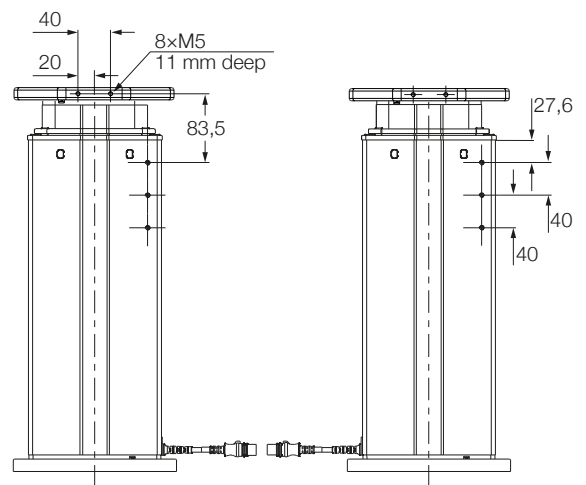
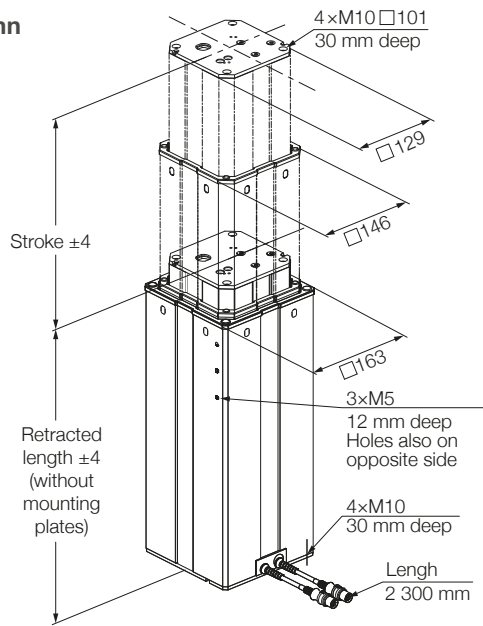
# Dimensional drawing – LIFTKIT-TM

## TLT Lifting column

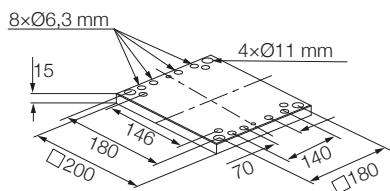
### Robot attachment plate



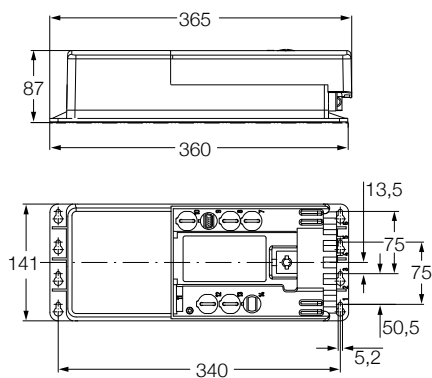
### TLT Column



### Bottom fixation plate



### Controller



### SBOX

