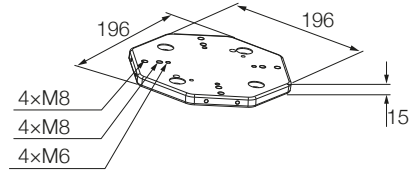


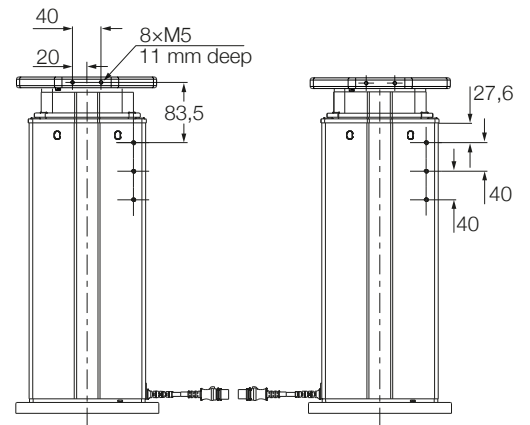
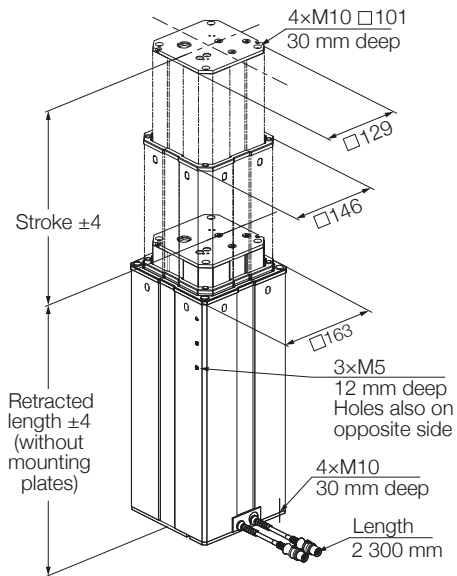
Dimensional drawing – LIFTKIT-FA

TLT lifting column

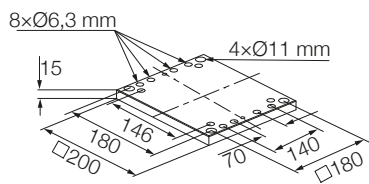
Robot attachment plate



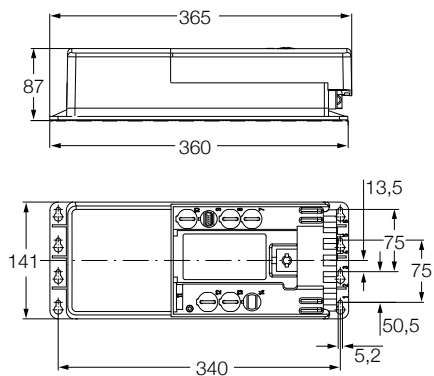
TLT Column



Bottom fixation plate



Controller



SBOX

