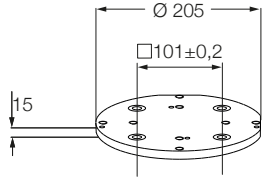


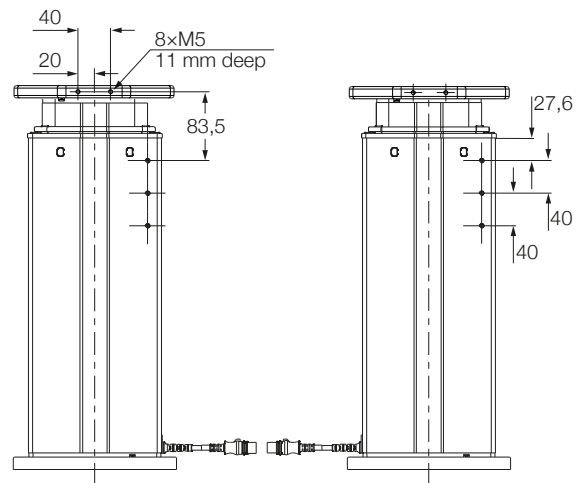
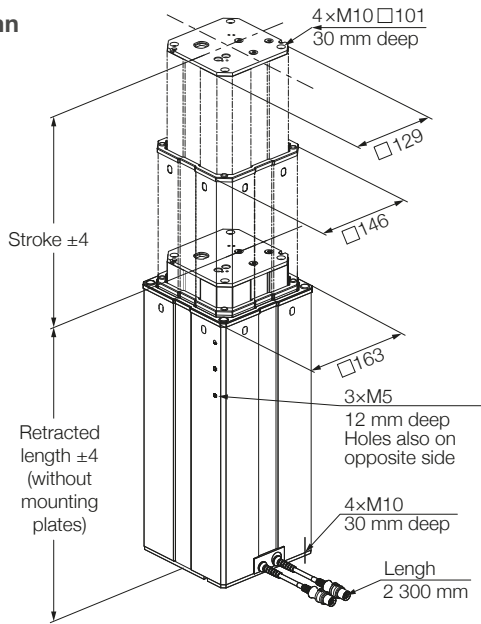
# Dimensional drawing – LIFTKIT-OM

## TLT lifting column

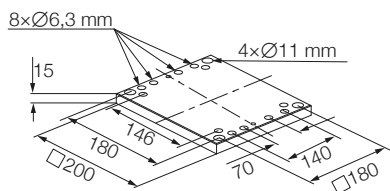
### Robot attachment plate



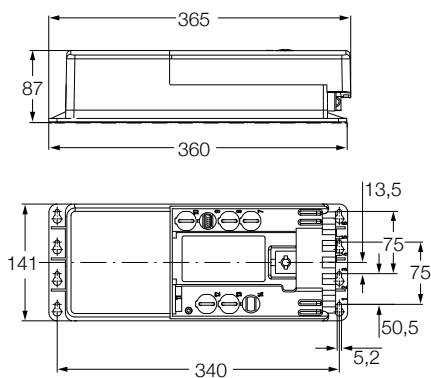
### TLT Column



### Bottom fixation plate



### Controller



### SBOX

