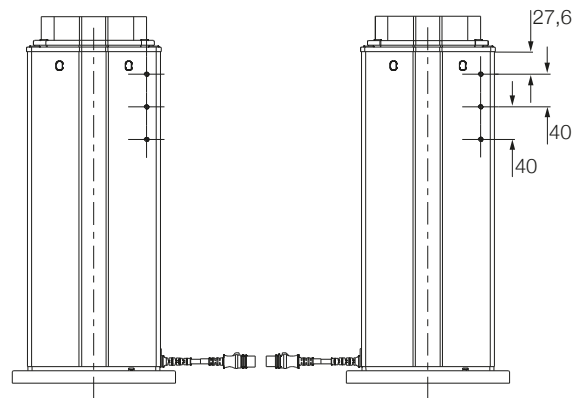
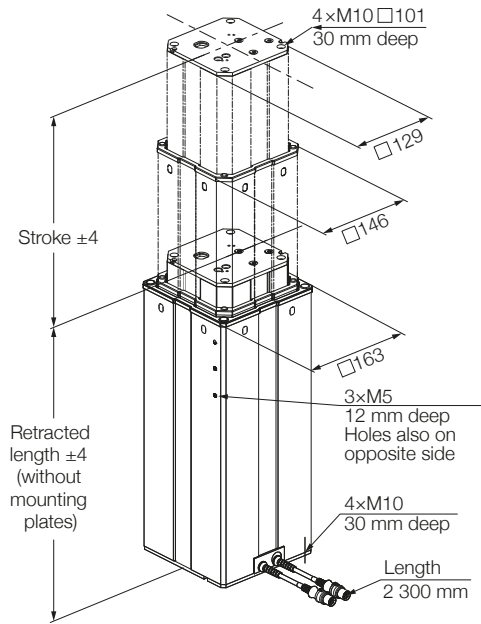


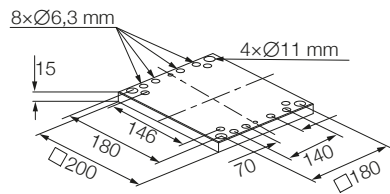
Dimensional drawing – LIFTKIT-0S

TLT lifting column

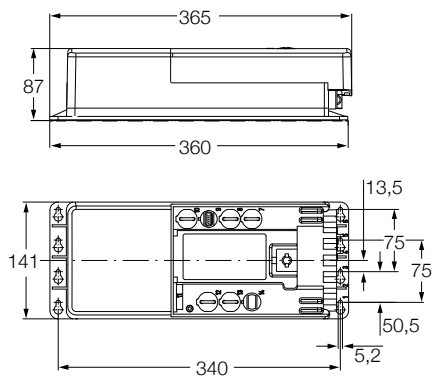
TLT Column



Bottom fixation plate



Controller



SBOX

