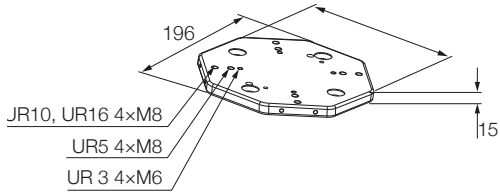


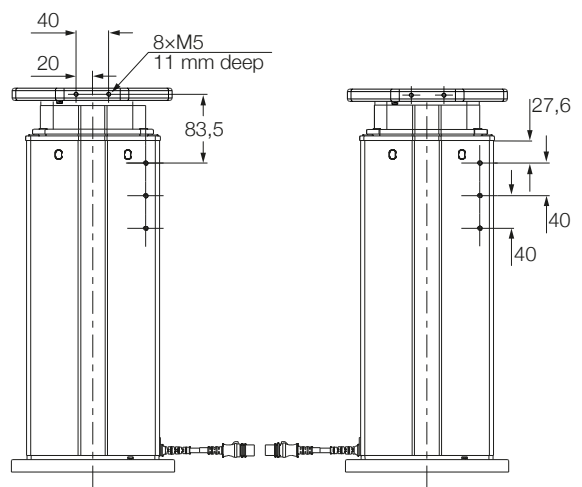
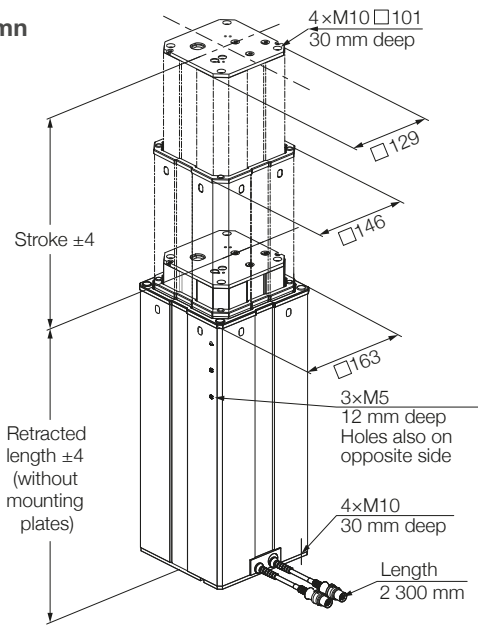
# Dimensional drawing – LIFTKIT-UR

## TLT lifting column

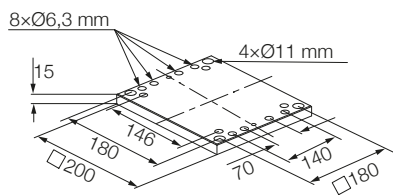
### Robot attachment plate



### TLT Column



### Bottom fixation plate



### Controller

