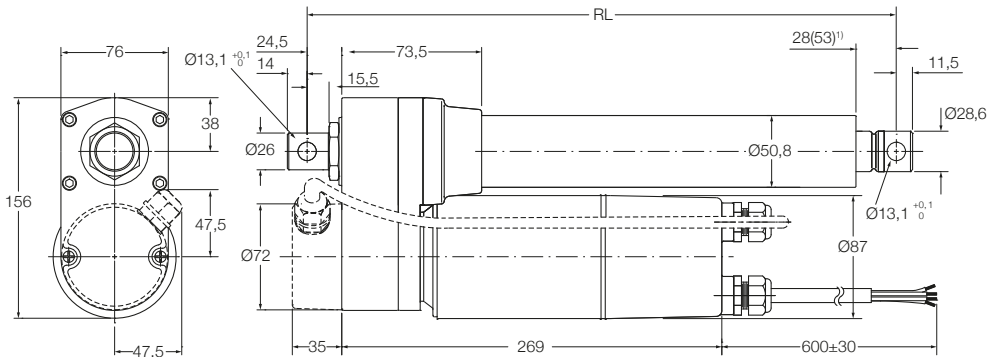


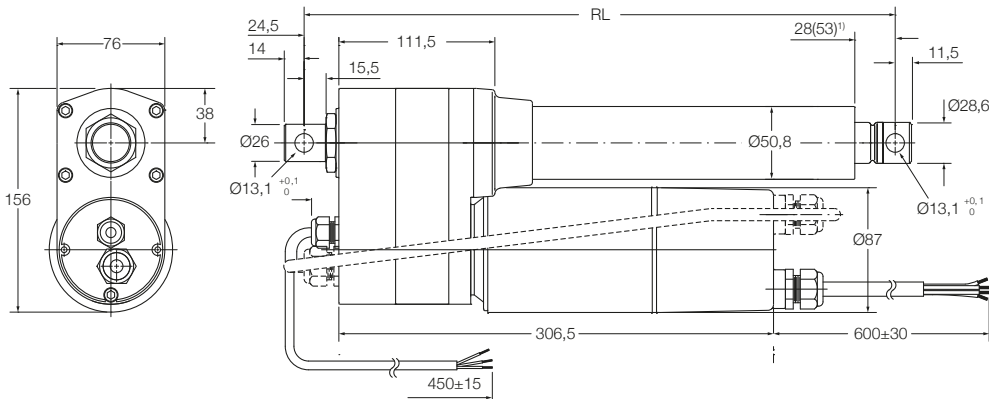
CAHB-30N - Dimensional drawing

Basic configuration (dashed line for optional limit switch)



Legend:
 RL = retracted length
¹⁾ 53 = dimension with limit switch

Optional potentiometer (dashed line for optional limit switch)



Legend:
 RL = retracted length
¹⁾ 53 = dimension with limit switch

Retracted length calculation (RL)

Basic configuration

Stroke [mm]	With limit switch ¹⁾						Without limit switch ²⁾					
	102	153	204	305	457	610	102	153	204	305	457	610
Retracted length (RL)	444	444	495	659	811	964	380	419	419	521	735	888

¹⁾ Tolerance: S and RL = ± 5,0 mm (If S≥305 mm, S = ± 7,5 mm)
²⁾ Tolerance: S = ± 2,5 mm and RL = ± 3,8 mm

Optional potentiometer

Stroke [mm]	With limit switch ¹⁾						Without limit switch ²⁾					
	102	153	204	305	457	610	102	153	204	305	457	610
Retracted length (RL)	482	482	533	697	849	1002 (code A02)	418	457	457	559	773	926

¹⁾ Tolerance: S and RL = ± 5,0 mm (If S≥305 mm, S = ± 7,5 mm)
²⁾ Tolerance: S = ± 2,5 mm and RL = ± 3,8 mm