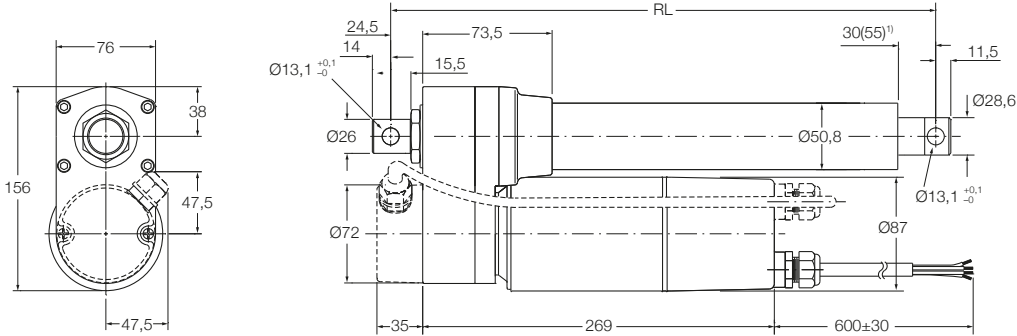


CAHB-30A - Dimensional drawing

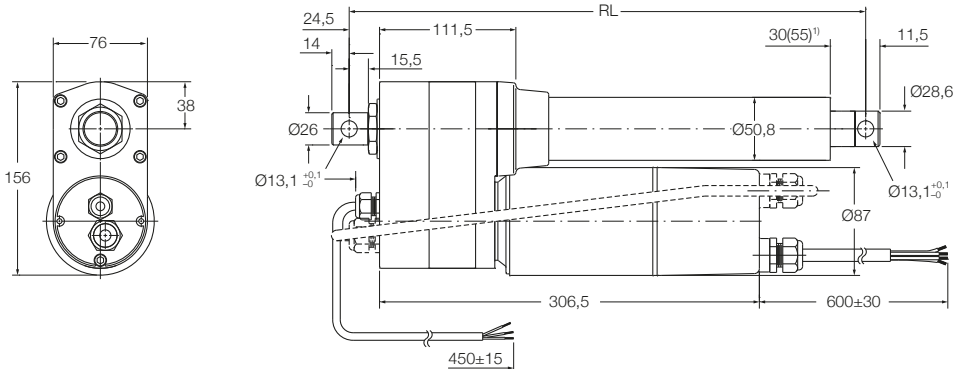
Basic configuration (dashed line for optional limit switch)



Legend:
RL = retracted length

¹⁾ 55 = dimension with limit switch

Optional potentiometer (dashed line for optional limit switch)



Legend:
RL = retracted length

¹⁾ 55 = dimension with limit switch

Retracted length calculation (RL)

Basic configuration

Stroke [mm]	With limit switch ¹⁾						Without limit switch ²⁾					
	102	153	204	305	457	610	102	153	204	305	457	610
Retracted length (RL)	440	440	440	592	744	897	380	415	415	465	668	821

¹⁾ Tolerance: S and RL = ± 5,0 mm (If S ≥ 305 mm, S = ± 7,5 mm)

²⁾ Tolerance: S = ± 2,5 mm and RL = ± 3,8 mm

Optional potentiometer

Stroke [mm]	With limit switch ¹⁾						Without limit switch ²⁾					
	102	153	204	305	457	610	102	153	204	305	457	610
Retracted length (RL)	478	478	478	630	782	935	418	453	453	503	706	859

¹⁾ Tolerance: S and RL = ± 5,0 mm (If S ≥ 305 mm, S = ± 7,5 mm)

²⁾ Tolerance: S = ± 2,5 mm and RL = ± 3,8 mm