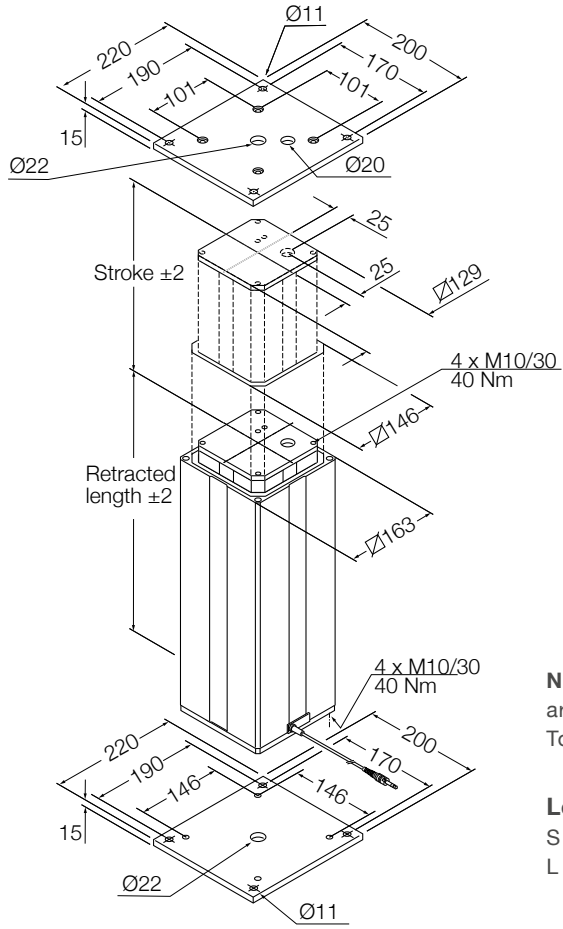
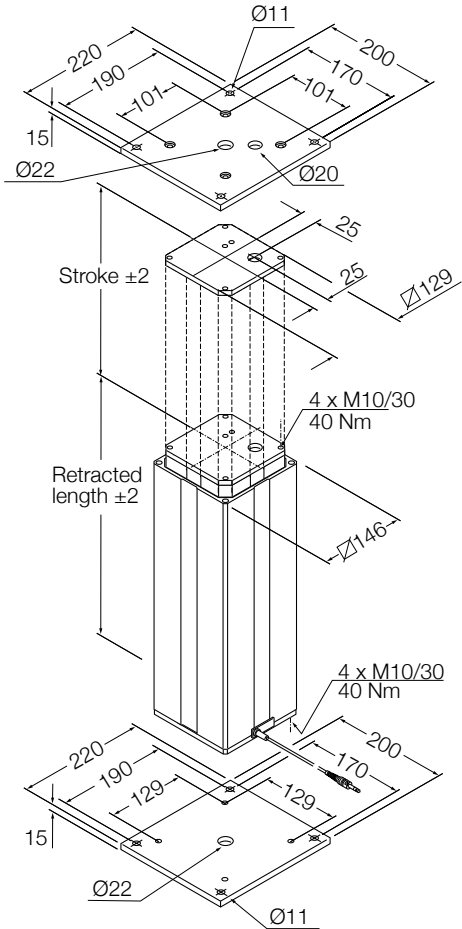


TLG - Dimensional drawing



Note: mounting plates
are not included.
To be ordered separately.

Legend:

S = stroke

L = retracted length