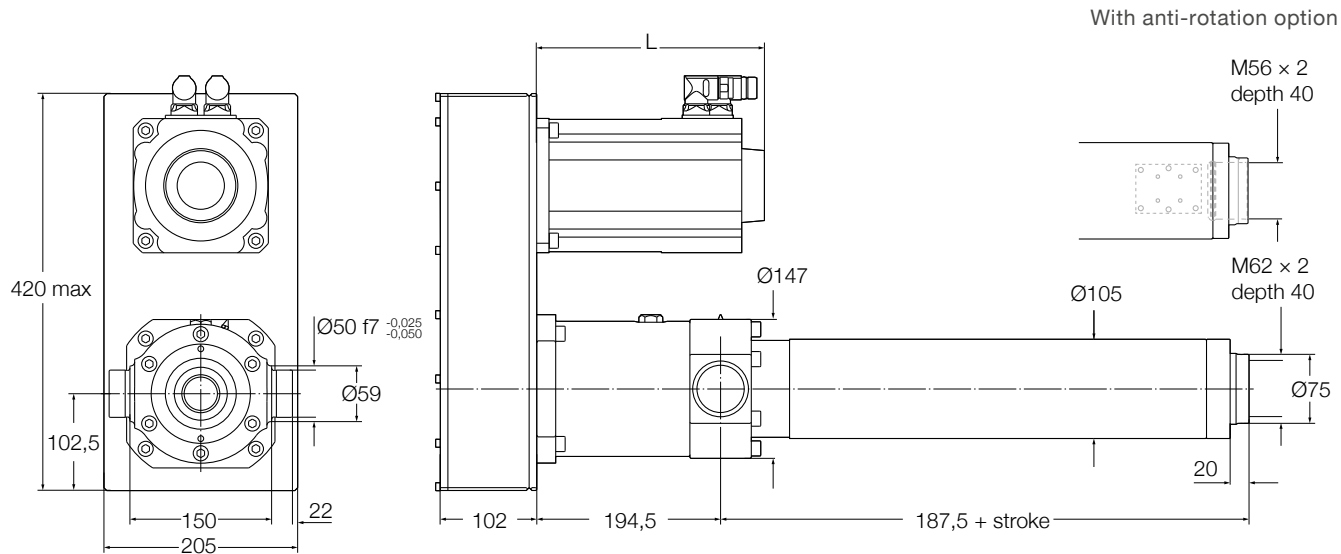


# SRSA-S-39xx parallel - Dimensional drawing



Reference	L mm	Added length for brake option	Added length for encoder option
-			
P30LA6	403	20	49
P70LC1	483	28	50
P30LD3	584	28	50