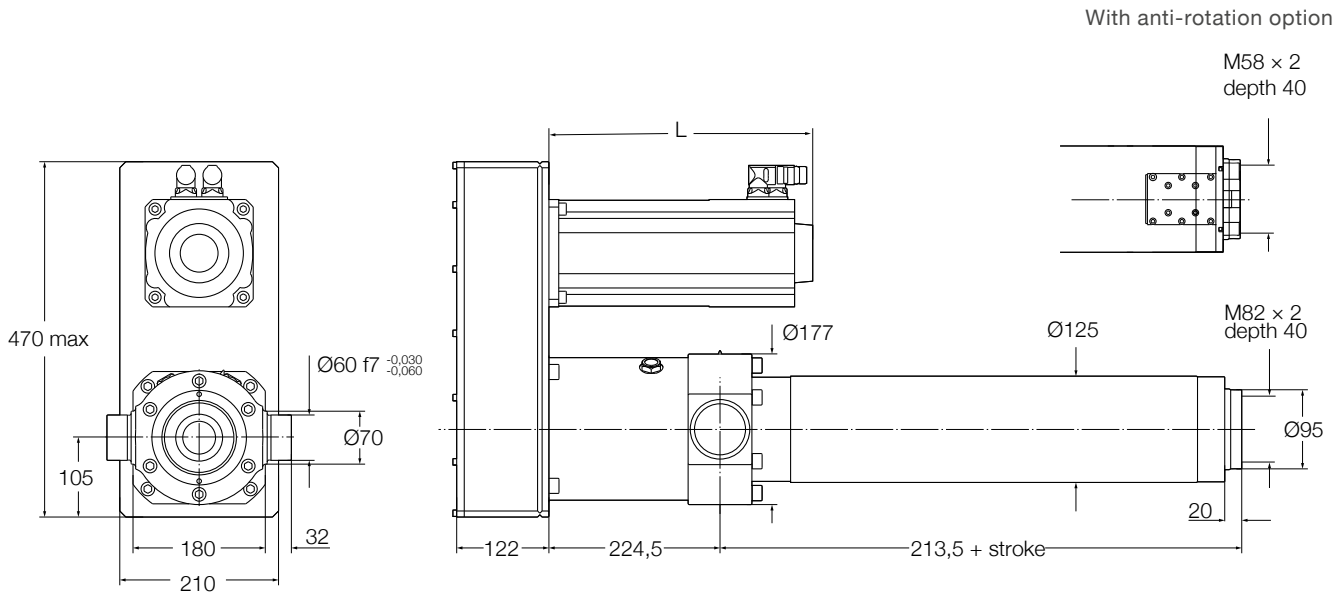


SRSA-S-48xx parallel - Dimensional drawing



Reference	L mm	Added length for brake option	Added length for encoder option
-			
P40LD1	476	28	50
P50LD2	544	28	50
P10LD6	427	44	49
P70LD7	529	44	49