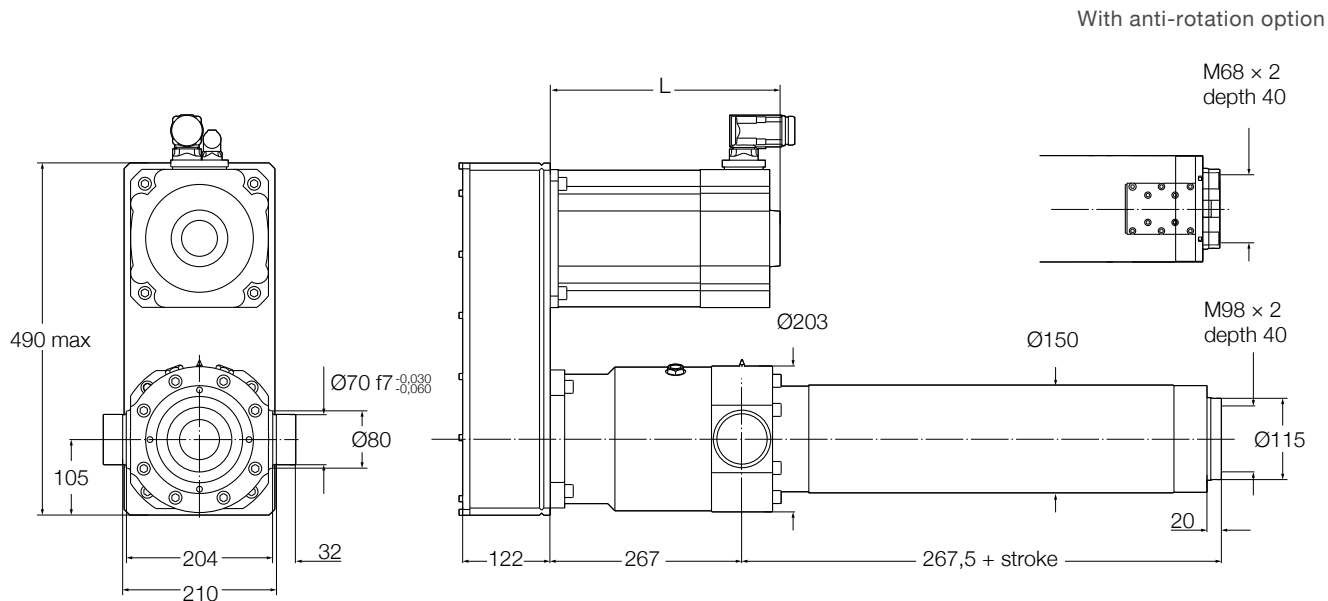


# SRSA-S-60xx parallel - Dimensional drawing



Reference	L mm	Added length for brake option	Added length for encoder option
-			
P50LD5	435	44	49
P30LD6	602	44	49
P70LD7	529	44	49