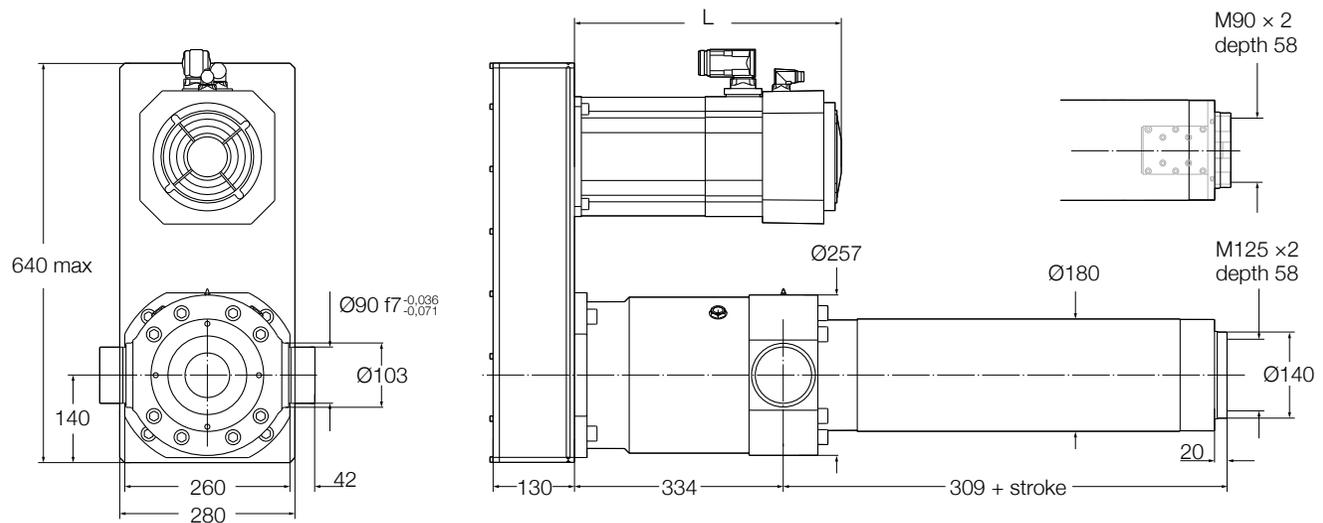


# SRSA-S-75xx parallel - Dimensional drawing

With anti-rotation option



| Reference | L<br>mm | Added length for brake option | Added length for encoder option |
|-----------|---------|-------------------------------|---------------------------------|
| -         |         |                               |                                 |
| P70LD7    | 529     | 44                            | 49                              |
| P30LD6    | 602     | 44                            | 49                              |
| P70LD6    | 636     | 44                            | 49                              |