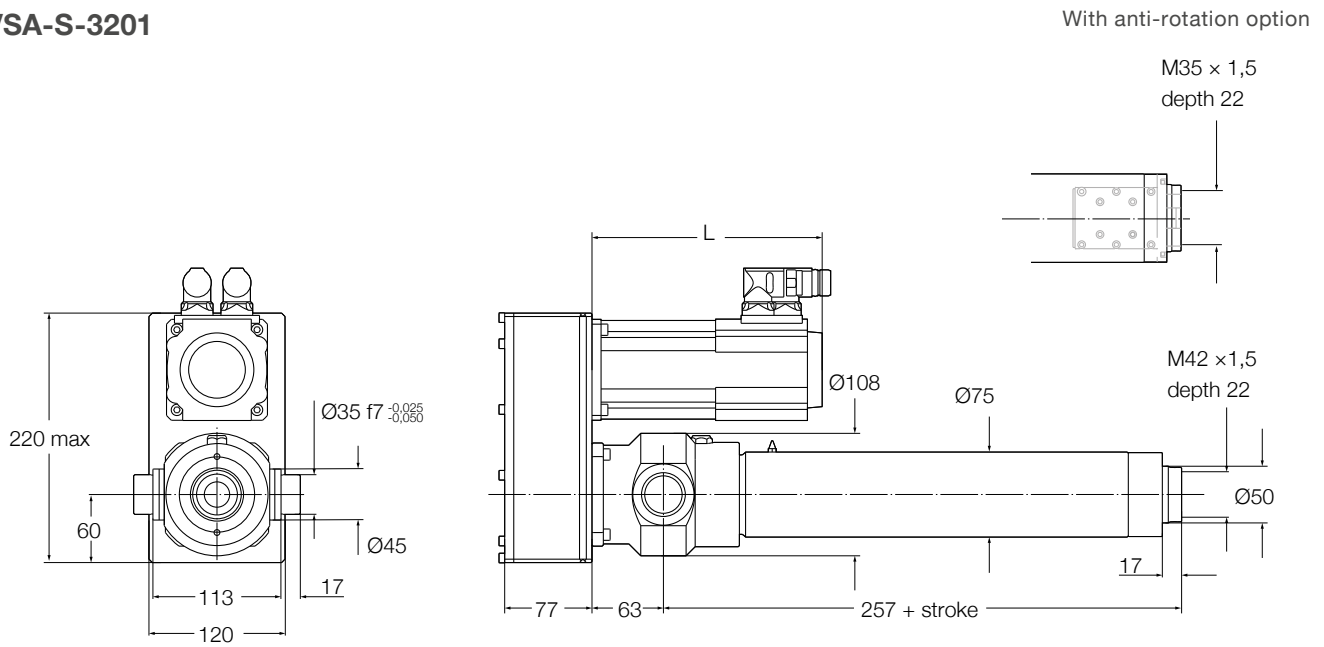


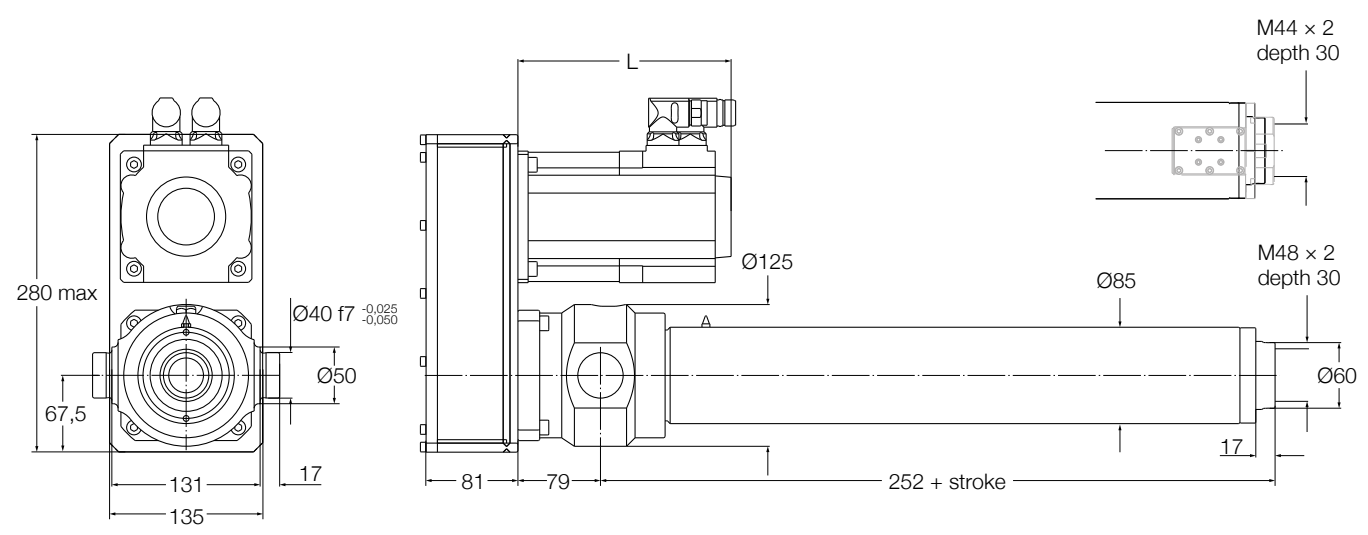
SVSA-S-xx01 parallel - Dimensional drawing

SVSA-S-3201



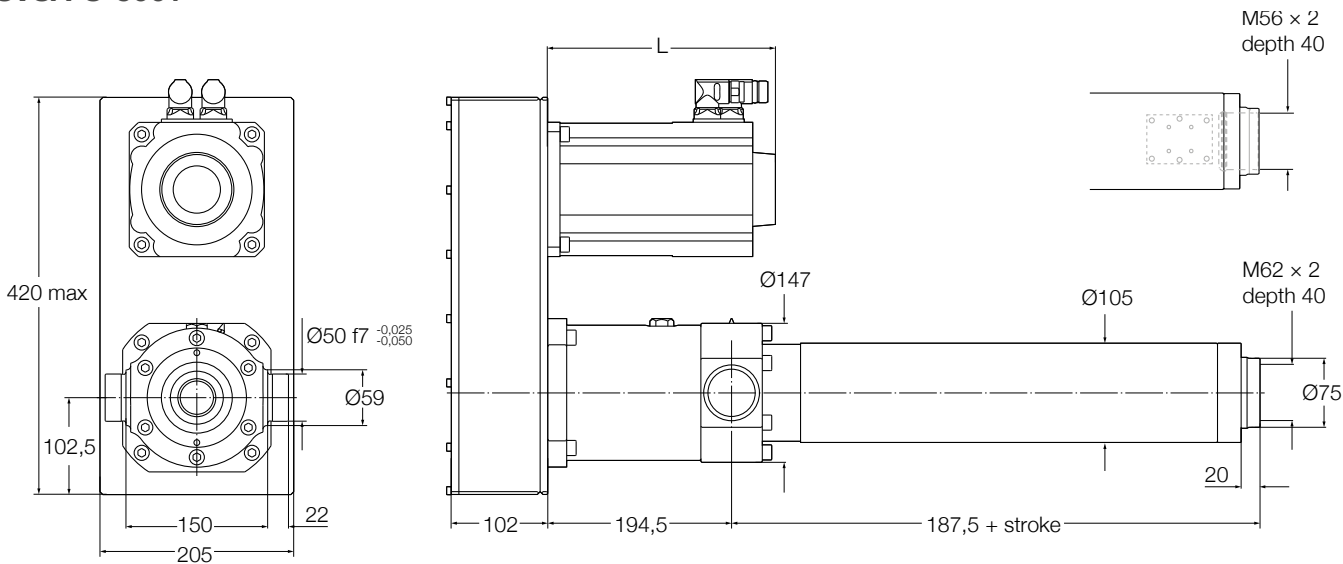
Reference	L	Added length for brake option	Added length for encoder option
-	mm		
P10LC7	203	20	51

SVSA-S-4001



Reference	L	Added length for brake option	Added length for encoder option
-	mm		
P10LA1	188	20	49

SVSA-S-5001



Reference	L mm	Added length for brake option	Added length for encoder option
-			
P10LA5	268	20	49