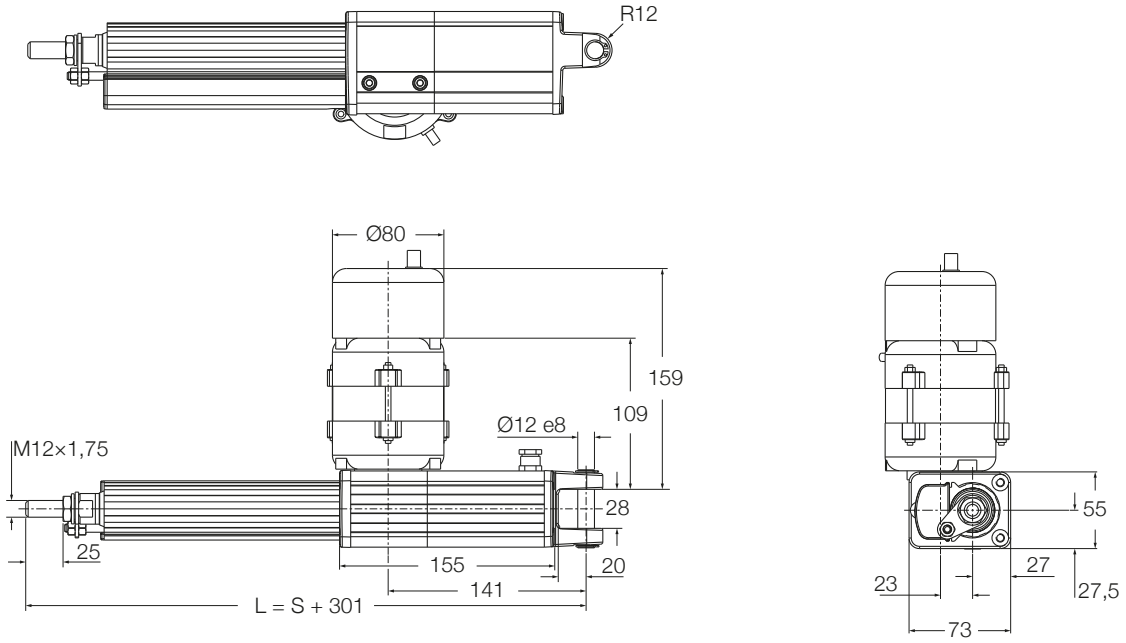
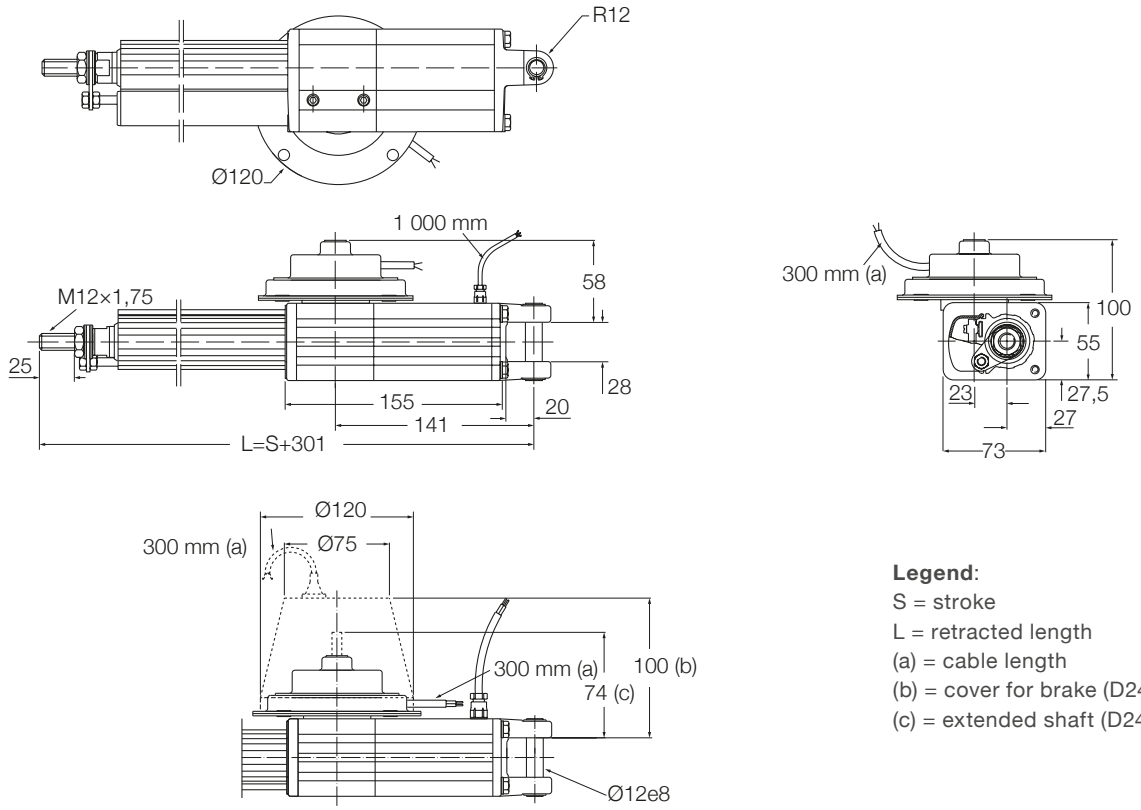


CAP 32 AC - Dimensional drawing



CAP 32 DC - Dimensional drawing



Legend:
 S = stroke
 L = retracted length
 (a) = cable length
 (b) = cover for brake (D24CB)
 (c) = extended shaft (D24CS)