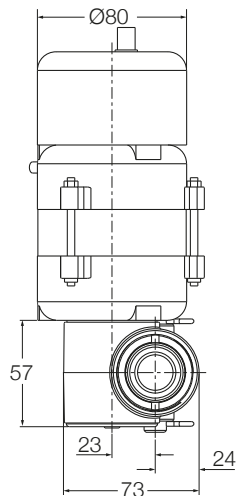
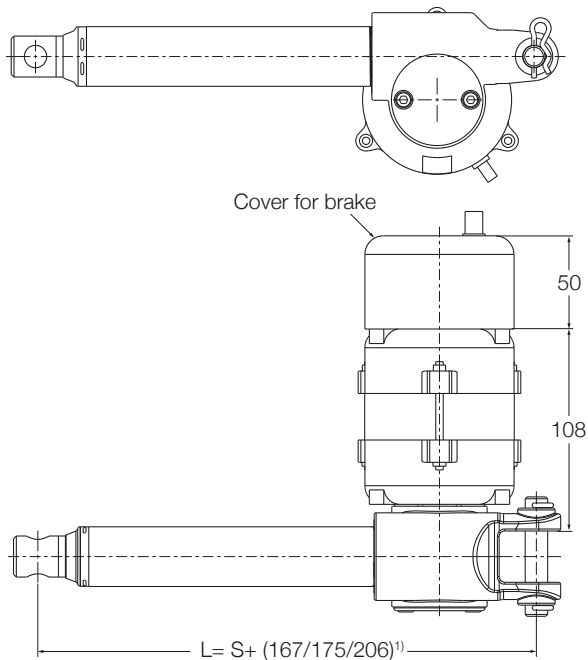
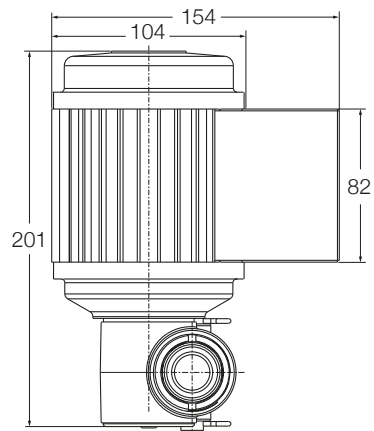


CAT 32B AC - Dimensional drawing



120 or 230 V AC
motor



400 V AC
motor

Legend:

S = stroke

L = retracted length

¹⁾ Dimension depends on selected front attachment