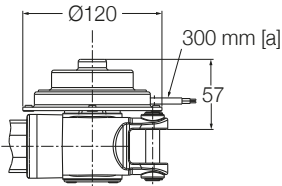
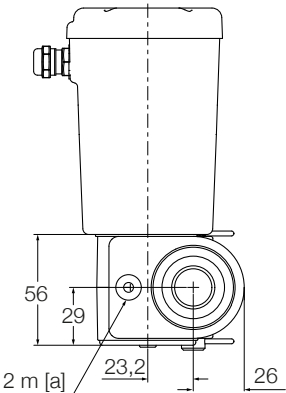
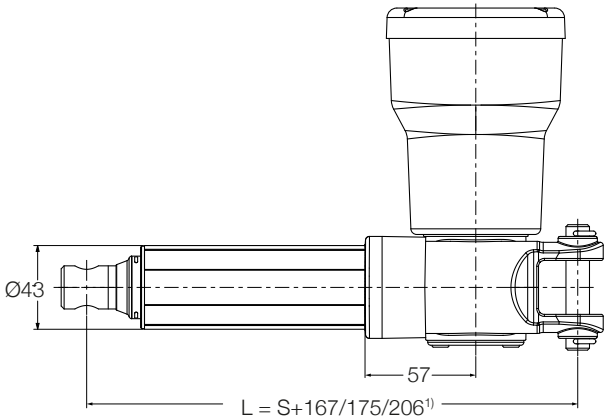
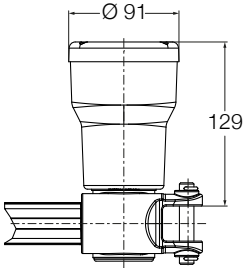


CAP 43B - Dimensional drawing



D24C/D24CW



C24C/C24CW

Legend:
 S = stroke
 L = retracted length
 [a] = cable length

¹⁾ Dimension depends on selected front attachment