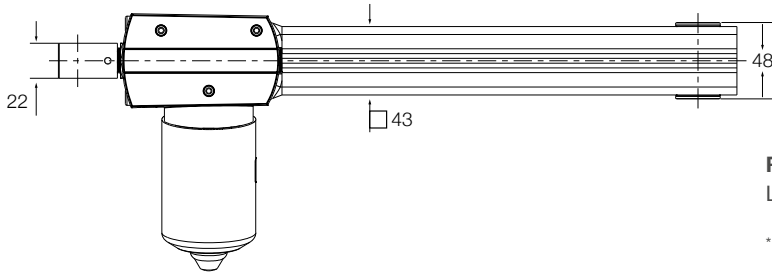
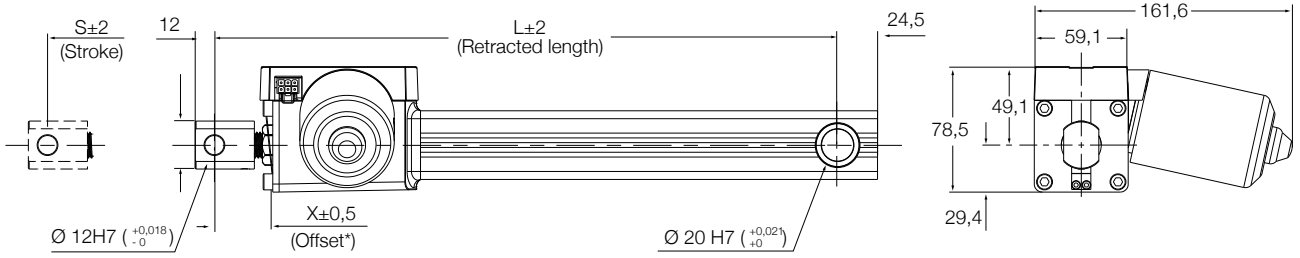


# CAMT20 - Dimensional drawing

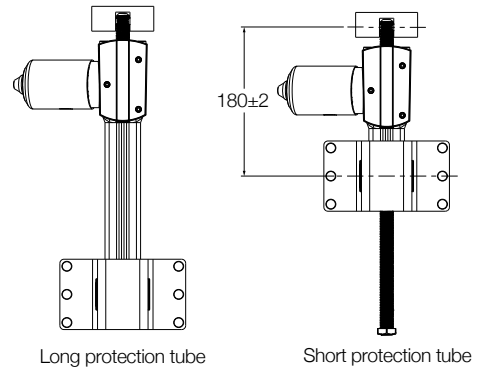
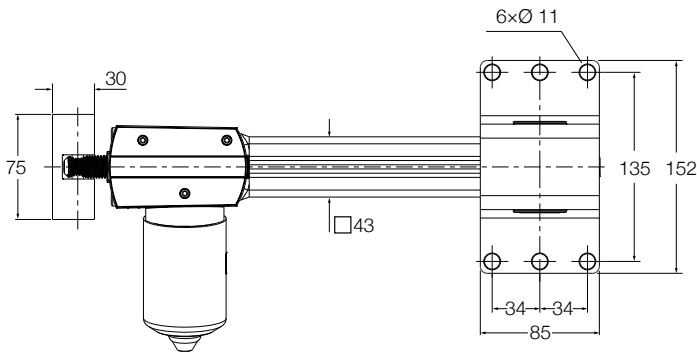
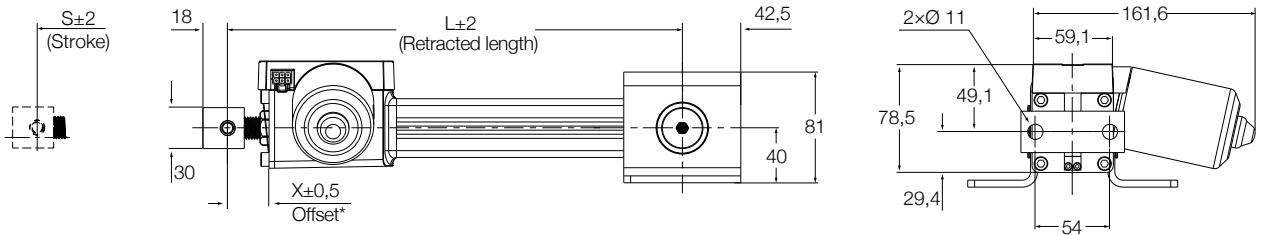
## Clevis attachment (CAMT20-xxxxx-00L-AA-AFx-000)



**Retracted length:**  
 $L = \text{Stroke } (S) + \text{Offset } (X) + 104$

\* Standard Offset = 36

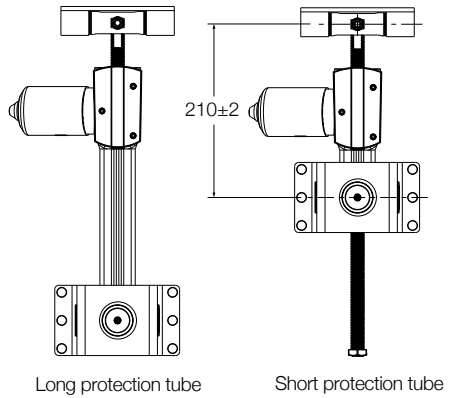
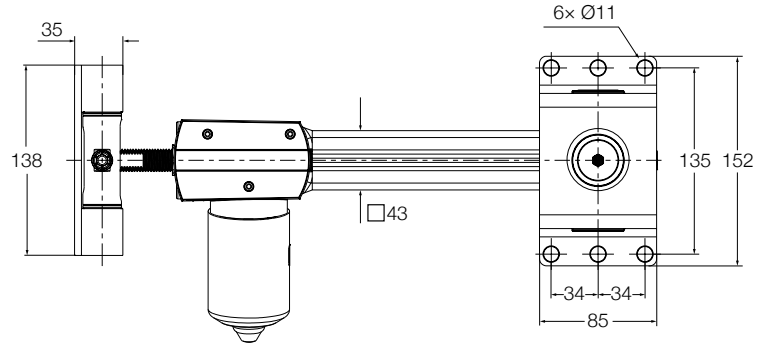
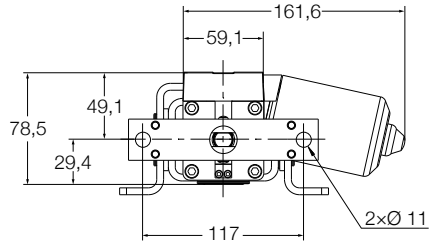
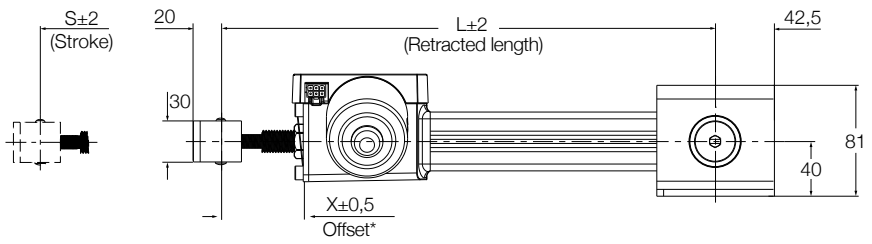
## 1 DOF attachment (CAMT20-xxxxx-00x-BB-AFx-000)



**Retracted length:**  
 $L = \text{Stroke } (S) + \text{Offset } (X) + 50$  (long protection tube)  
 $L = \text{Offset } (X) + 150$  (short protection tube)

\* Standard Offset = 30

# 2 DOF attachment (CAMT20-xxxxx-00x-CC-AFx-000)



**Retracted length:**  
 $L = \text{Stroke (S)} + \text{Offset (X)} + 50$  (long protection tube)  
 $L = \text{Offset (X)} + 150$  (short protection tube)

\* Standard Offset = 60