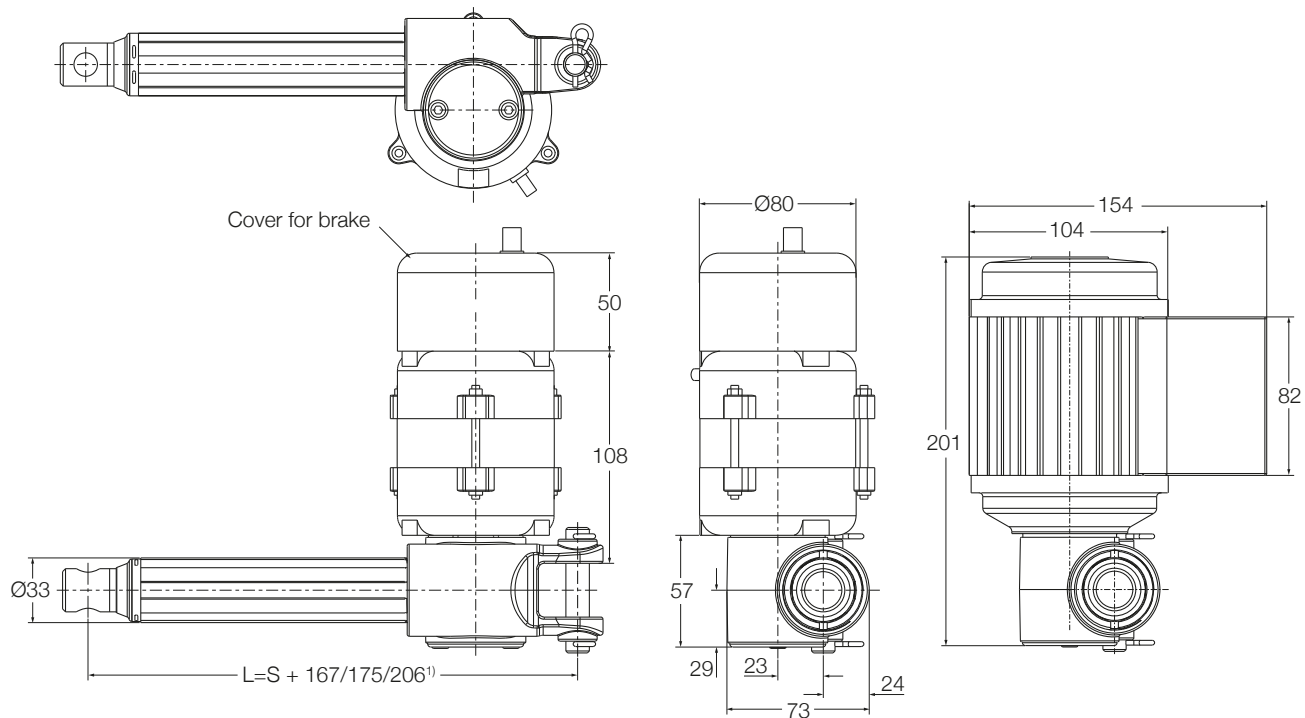


CAT 33H AC - Dimensional drawing



120 or 230 V AC motor

Legend:

S = stroke

L = retracted length

¹⁾ Dimension depends on selected front attachment