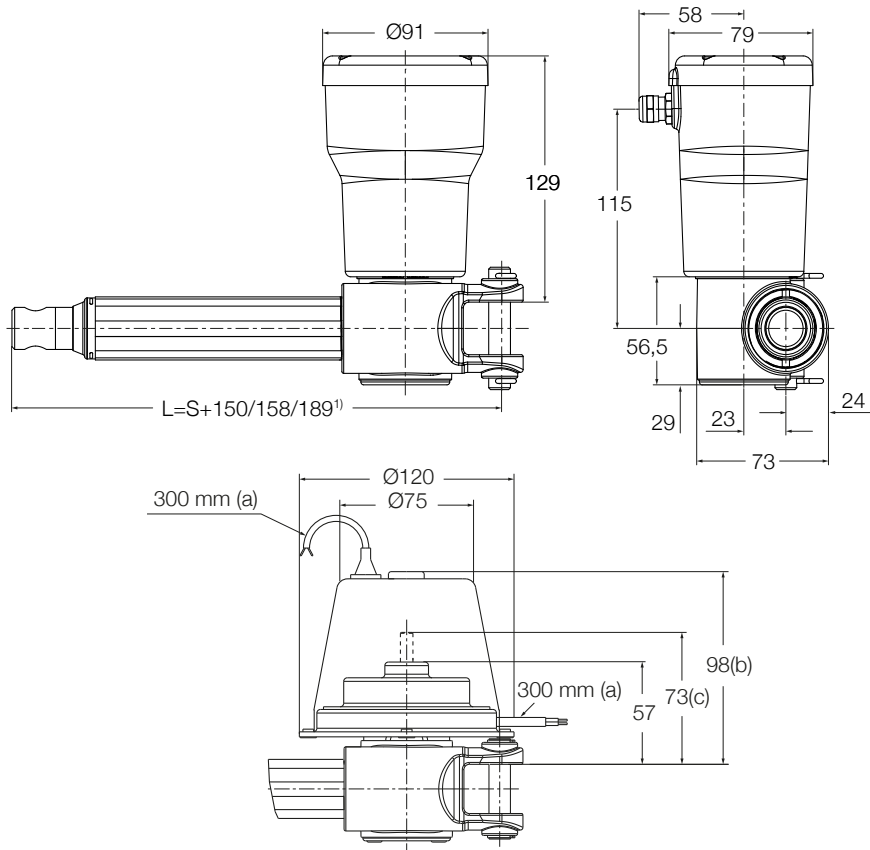


CAT 33H DC - Dimensional drawing



Legend:

S = stroke

L = retracted length

(a) = cable length

(b) = cover for brake (D24CB)

(c) = extended shaft (D24CS)

¹⁾ Dimension depends on selected front attachment

D12C, D24C, D24CB, D24CS, D24CW