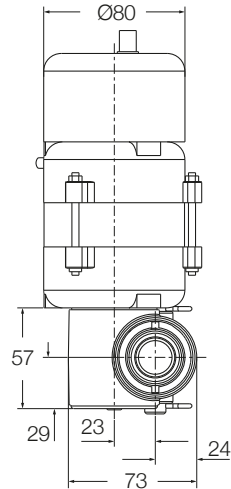
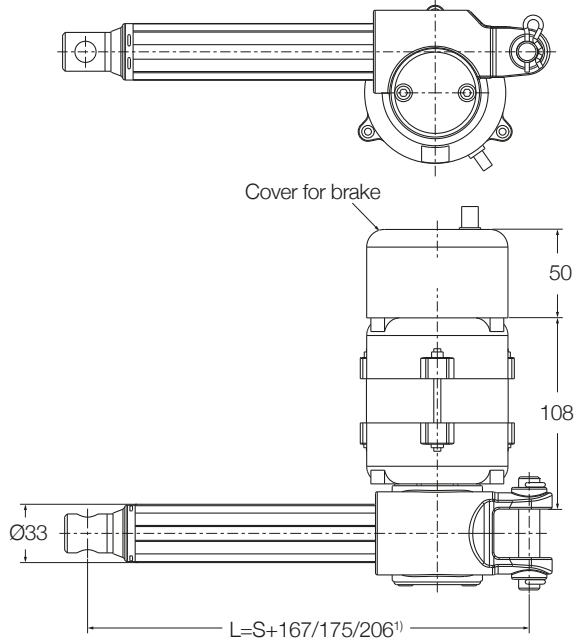
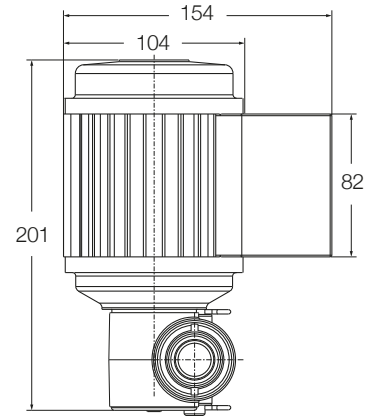


# CAT 33 AC - Dimensional drawing



120 or 230 V AC motor



400 V AC motor

## Legend:

S = stroke

L = retracted length

<sup>1)</sup> Dimension depends on selected front attachment