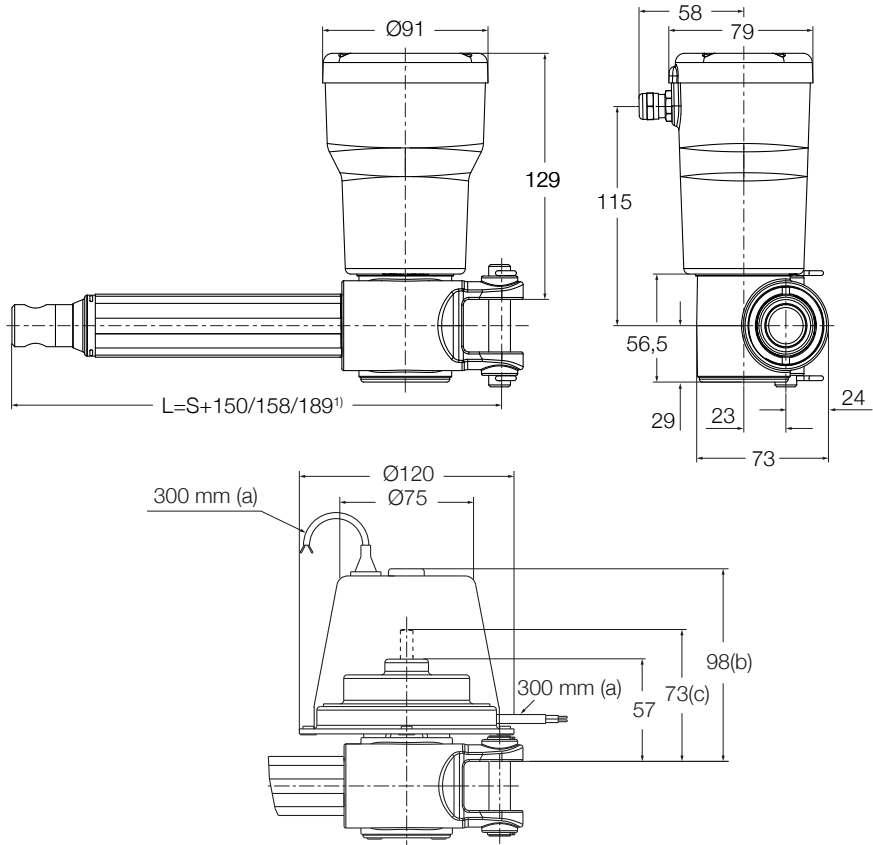


# CAT 33 DC - Dimensional drawing



## Legend:

S = stroke

L = retracted length

(a) = cable length

(b) = cover for brake (D24CB)

(c) = extended shaft (D24CS)

<sup>1)</sup> Dimension depends on selected front attachment