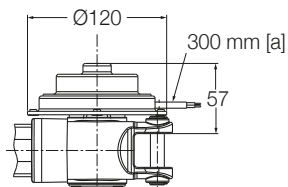
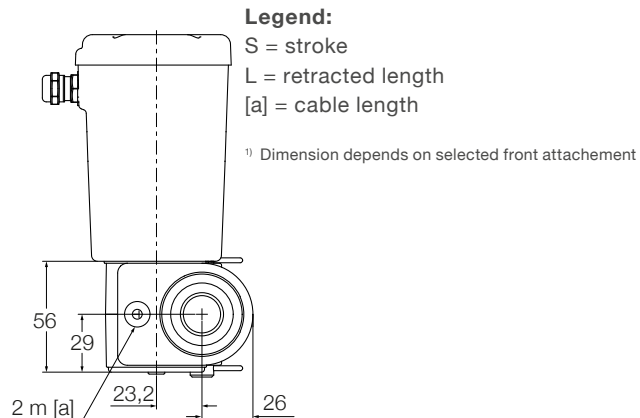
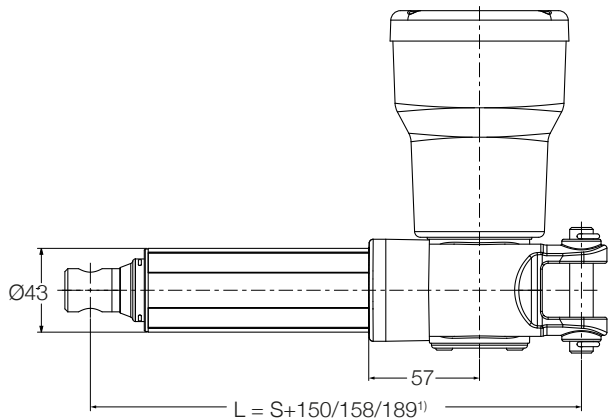
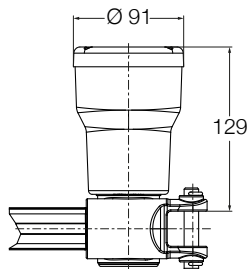


# CAP 43A - Dimensional drawing



D24C/D24CW



C24C/C24CW