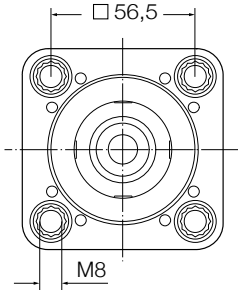
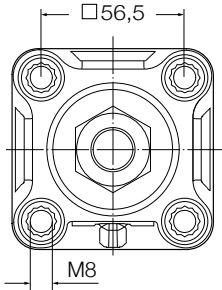
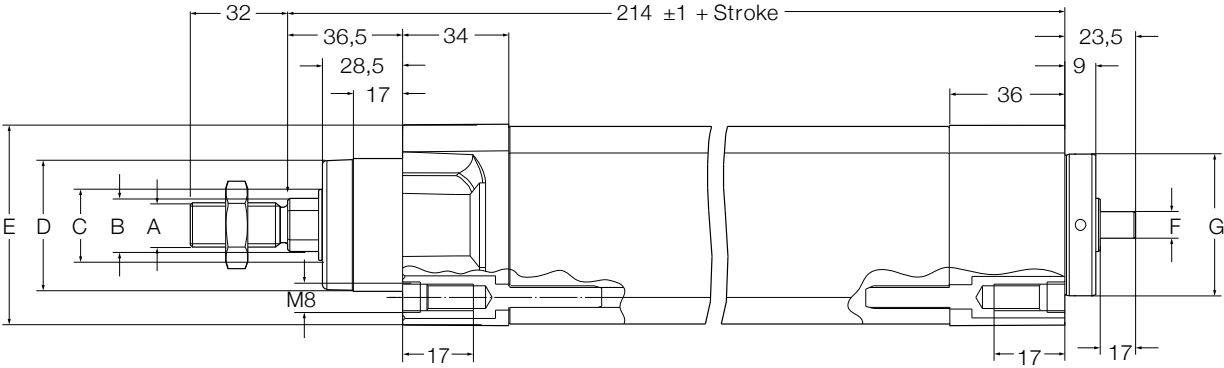


# CASM-63 linear unit - Dimensional drawing



A	B	C	D	E	F	G
---	---	---	---	---	---	---

mm

CASM-63	M16 × 1,5	Ø20	Ø28	Ø45d11	□ 75	Ø12h6	Ø60 $\begin{smallmatrix} -0,05 \\ -0,08 \end{smallmatrix}$
---------	-----------	-----	-----	--------	------	-------	--