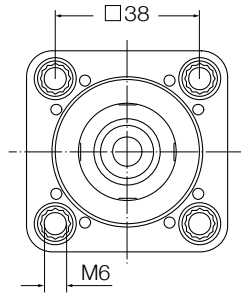
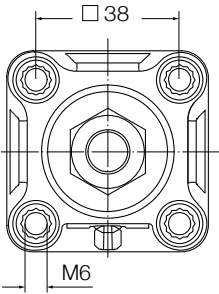
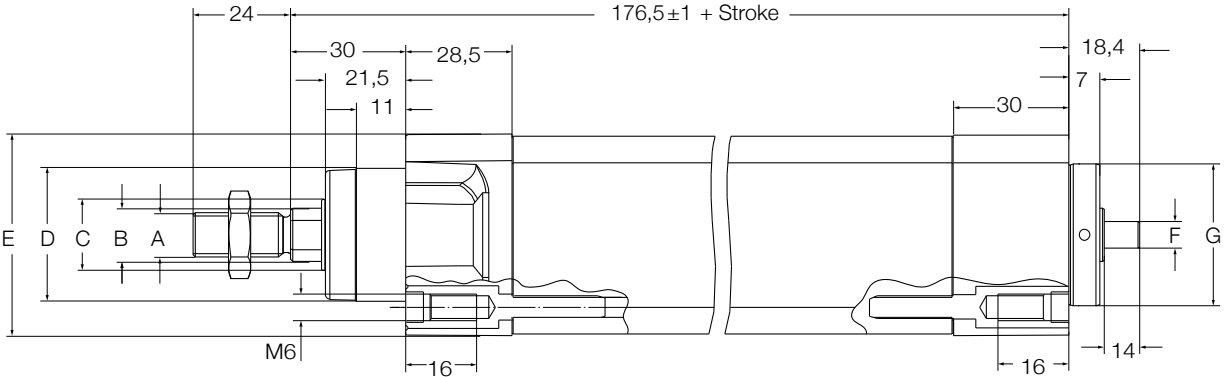


# CASM-40 linear unit - Dimensional drawing



|         | A          | B   | C   | D      | E      | F    | G                                      |
|---------|------------|-----|-----|--------|--------|------|--|
|         |            | mm  |     |        |        |      |  |
| CASM-40 | M12 × 1,25 | Ø16 | Ø20 | Ø35d11 | □ 54,3 | Ø8h6 | Ø40 <sup>-0,08</sup> / <sub>-0,1</sub> |