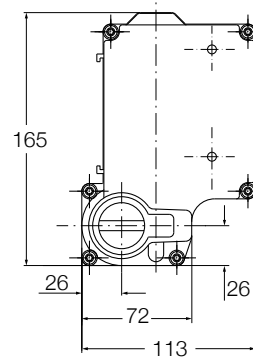
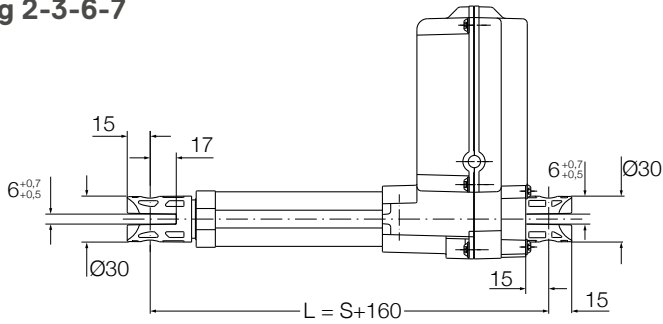
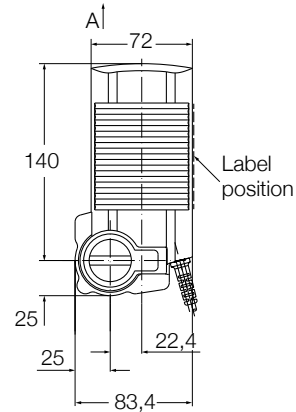
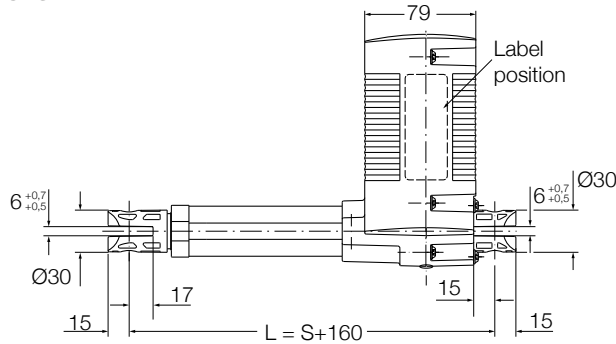


# Ecomag - Dimensional drawing

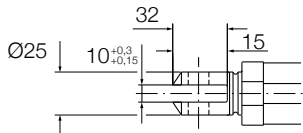
## Ecomag 2-3-6-7



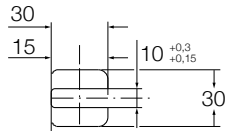
## Ecomag 4 -5-8-9



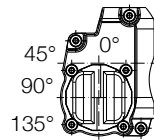
### Front attachment push and pull version



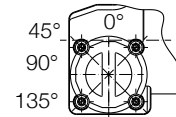
### Rear attachment push and pull version



### Rear attachment position



Push version only



Push and pull version

### Legend:

S = stroke

L = retracted length