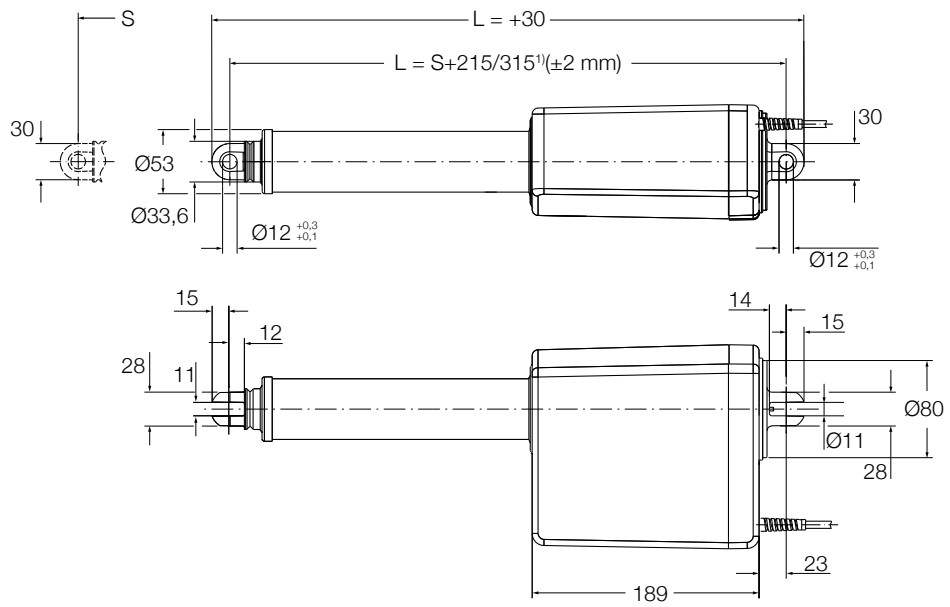


Runner - Dimensional drawing



Legend:
 S = stroke
 L = retracted length

¹⁾ Retracted length:
 up to 500 mm stroke: stroke +215 mm (plus options)
 from 500 mm stroke: stroke +315 mm (plus options)

