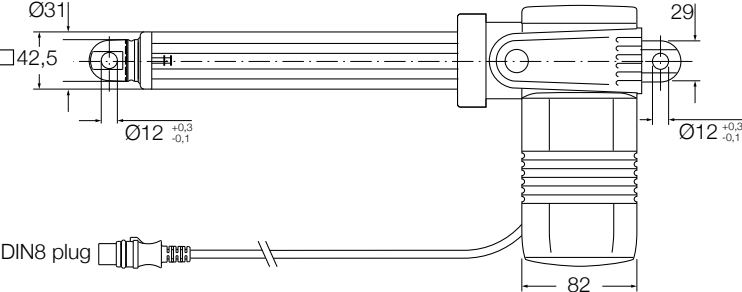
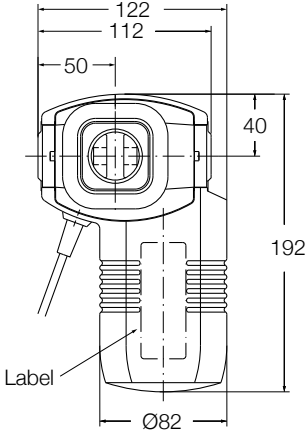


Matrix3 - Dimensional drawing

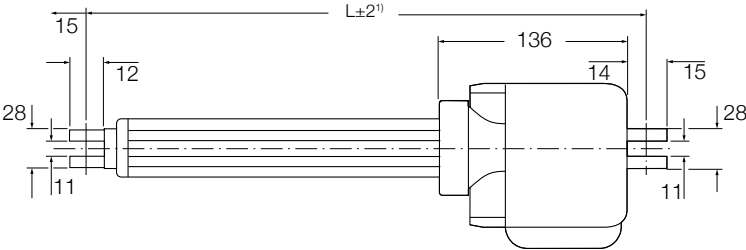
Side view



Front view



Top view



¹⁾ $S < 350$ mm; $L = 215 + S$
 $S > 350$ mm; $L = 280 + S$

Rear view

