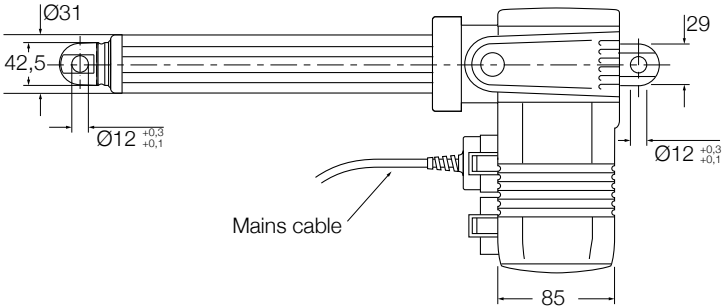
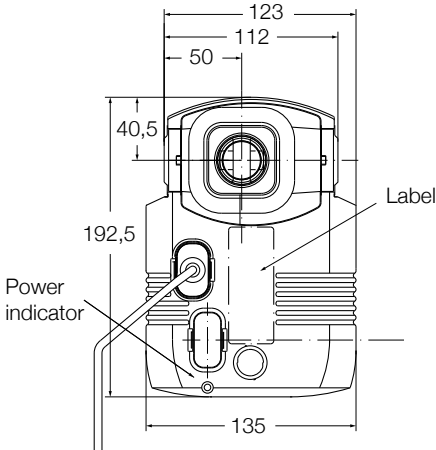


# Matrix7 - Dimensional drawing

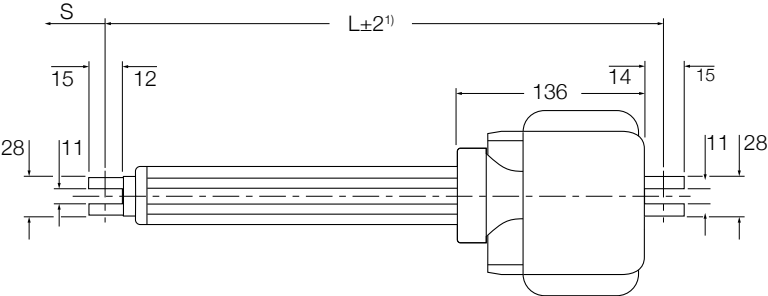
## Side view



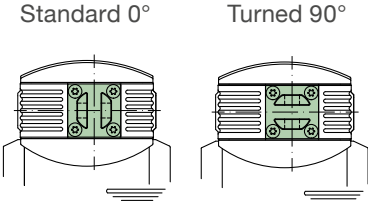
## Front view



## Top view



## Rear view



<sup>1)</sup>  $S < 350$  mm;  $L = 215 + S$   
 $S > 350$  mm;  $L = 280 + S$