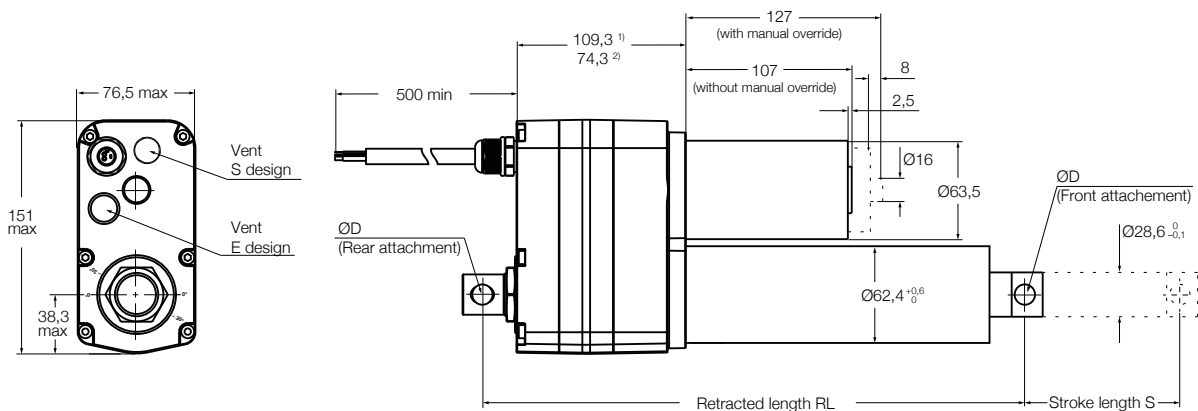


CAHB-22E and -22S - Dimensional drawing



¹⁾ 109,3 for E design with position output

²⁾ 74,3 for E design without position output and S design

	Stroke tolerance	Retracted length tolerance
E design with LS (S<=305)	±2	(0, +4)
E design without LS, 1E/2E (S<=305)	(-3, -1.5)	(0, +4)
E design without LS, 3E/4E (S<=305)	(-2, -0.5)	(0, +4)
E design with LS (S>305)	±3	(0, +4)
E design without LS, 1E/2E (S>305)	(-4, -2)	(0, +4)
E design without LS, 3E/4E (S>305)	(-3, -1)	(0, +4)
S design	±1	±1

Retracted length calculation

Stroke [mm]	Baseline : Rod with hole attachment		Fork head attachment	Anti-rotation tube with free spinning front attachment	Rod end Spherical plain bearing with anti rotation tube	
	50-305	306-700	50-700	50-700	50-305	306-700
CAHB-22E						
Retracted length (RL) no option ¹⁾	194+S	229+S	+12	+7	+49	+37
Retracted length (RL) with LS	200+S	235+S	+12	+7	+49	+37
Retracted length (RL) with position output	229+S	264+S	+12	+7	+49	+37
Retracted length (RL) with LS and position output ²⁾	235+S	270+S	+12	+7	+49	+37
CAHB-22S						
Retracted length (RL)	200+S	235+S	+12	+0	+43	+33

Example for Ordering key, in **red** baseline configuration:

¹⁾ **194 + 50** (stroke) + **12** (Fork head attachment) + **7** (Anti-rotation tube with free spinning front attachment) = **263**

²⁾ **270 + 400** (stroke) + **37** (Rod end Spherical plain bearing with anti rotation tube) = **707**