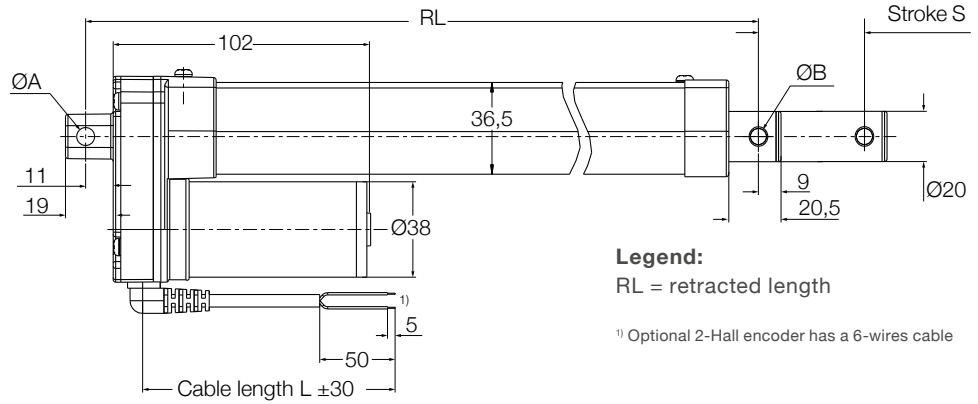
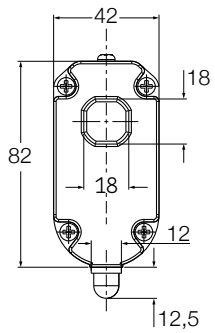


# CAHB-10 - Dimensional drawing

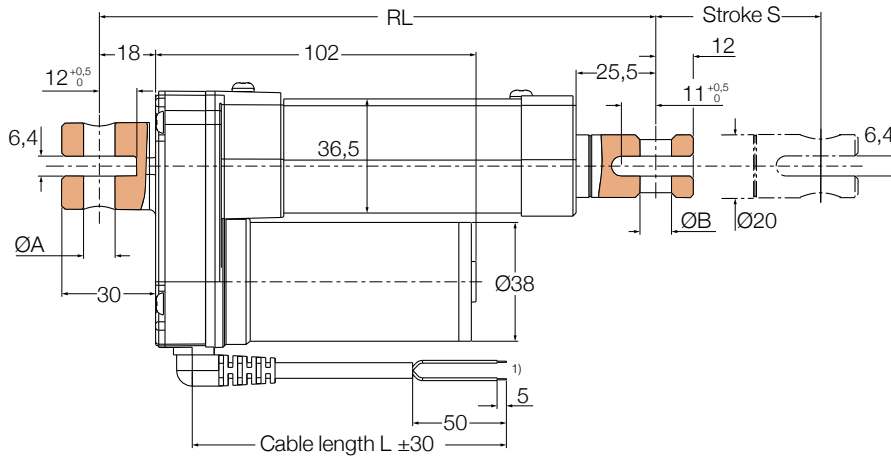
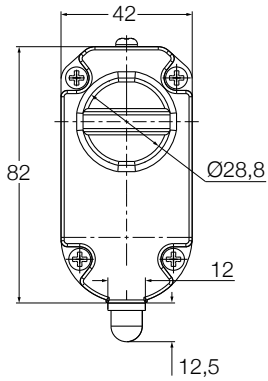
## Basic configuration and optional 2-Hall encoder



**Legend:**

RL = retracted length

<sup>1)</sup> Optional 2-Hall encoder has a 6-wires cable



Front / Rear attachment	Ø A	Ø B
Option A	6,4 (0, +0,1)	6,4 (0, +0,1)
Option B	8,0 (0, +0,1)	8,0 (0, +0,1)
Option C	10,1 (0, +0,1)	10,1 (0, +0,1)

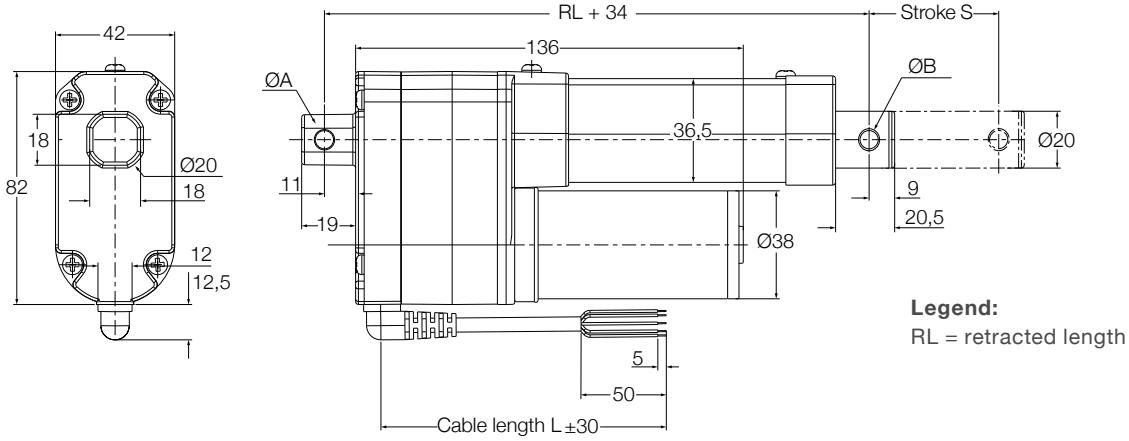
	RL tolerance	S tolerance
CAHB10...1 and 2	(-5, +1)	(-1, +5)
CAHB10...3 and 4	(-3, +3)	(-3, +3)
CAHB10...3 and 4	(-2, +4)	(-4, +2)

## Retracted length calculation (RL)

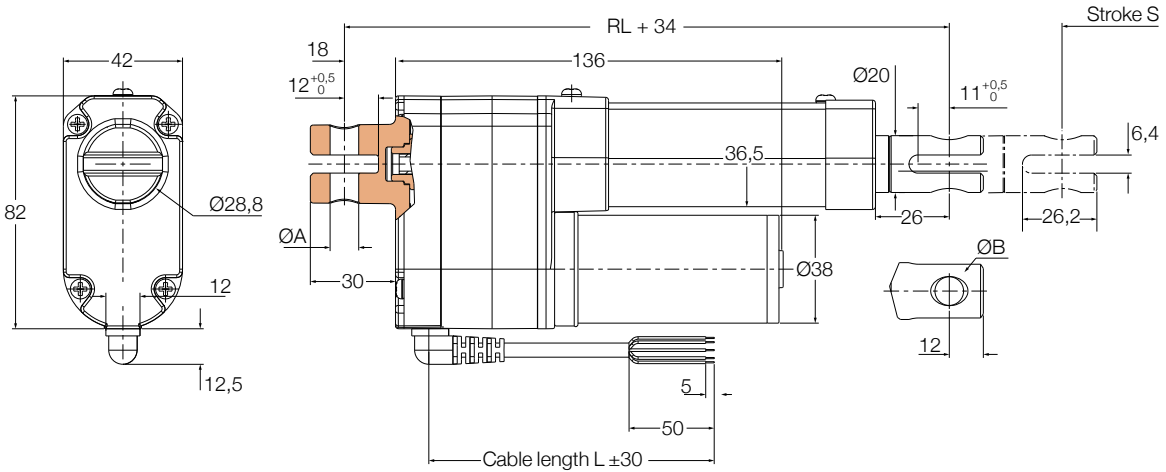
Stroke [mm]	50	100	150	200	250	300
Retracted length (RL) with Rod end (Front) + Rod end (Rear)	158	209	260	311	362	413
Retracted length (RL) with Rod end (Front) + Fork head (Rear)	165	216	267	318	369	420
Retracted length (RL) with Fork head (Front) + Rod end (Rear)	172	223	274	325	376	427
Retracted length (RL) with Fork head (Front) + Fork head (Rear)	179	230	281	332	383	434

# CAHB-10 - Dimensional drawing

## Optional potentiometer and absolut analogue



**Legend:**  
RL = retracted length



Front / Rear attachment	Ø A	Ø B
Option A	6,4 (0, +0,1)	6,4 (0, +0,1)
Option B	8,0 (0, +0,1)	8,0 (0, +0,1)
Option C	10,1 (0, +0,1)	10,1 (0, +0,1)

	RL tolerance	S tolerance
CAHB10...1 and 2	(-5, +1)	(-1, +5)
CAHB10...3 and 4	(-3, +3)	(-3, +3)
CAHB10...3 and 4	(-2, +4)	(-4, +2)

## Retracted length calculation (RL)

Stroke [mm]	50	100	150	200	250	300
Retracted length (RL) with Rod end (Front) + Rod end (Rear)	192	243	294	345	396	447
Retracted length (RL) with Rod end (Front) + Fork head (Rear)	199	250	301	352	403	454
Retracted length (RL) with Fork head (Front) + Rod end (Rear)	206	257	308	359	410	461
Retracted length (RL) with Fork head (Front) + Fork head (Rear)	213	264	315	366	417	468