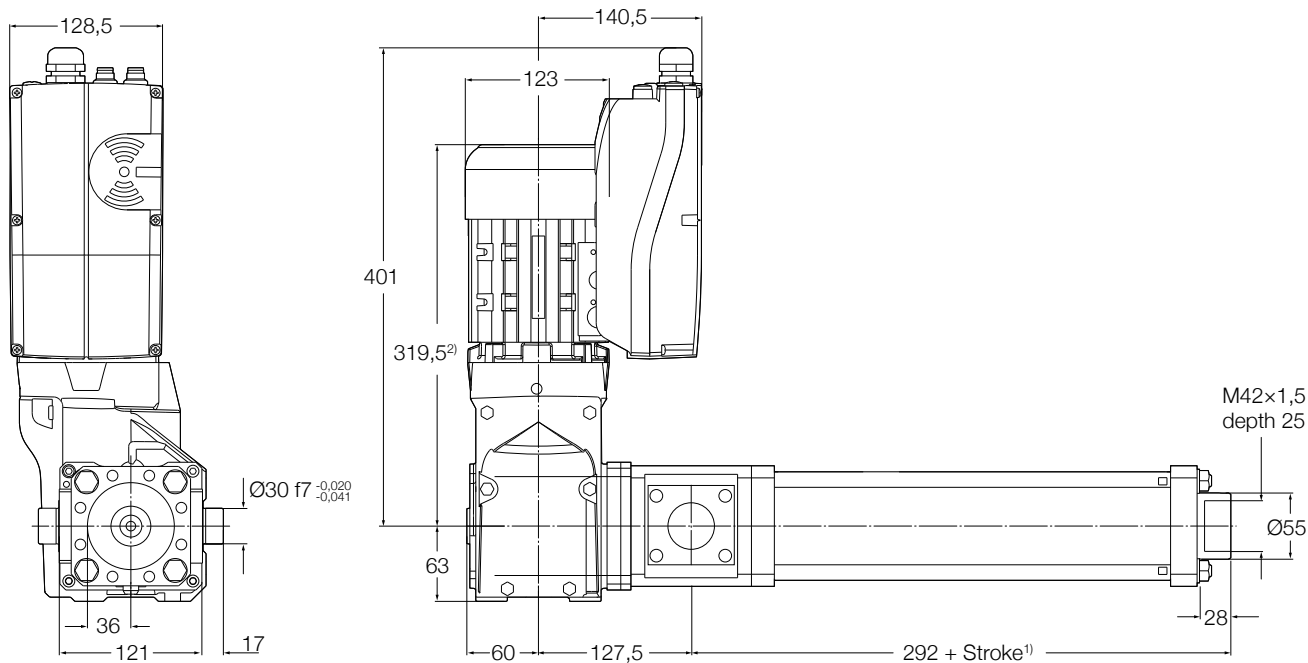


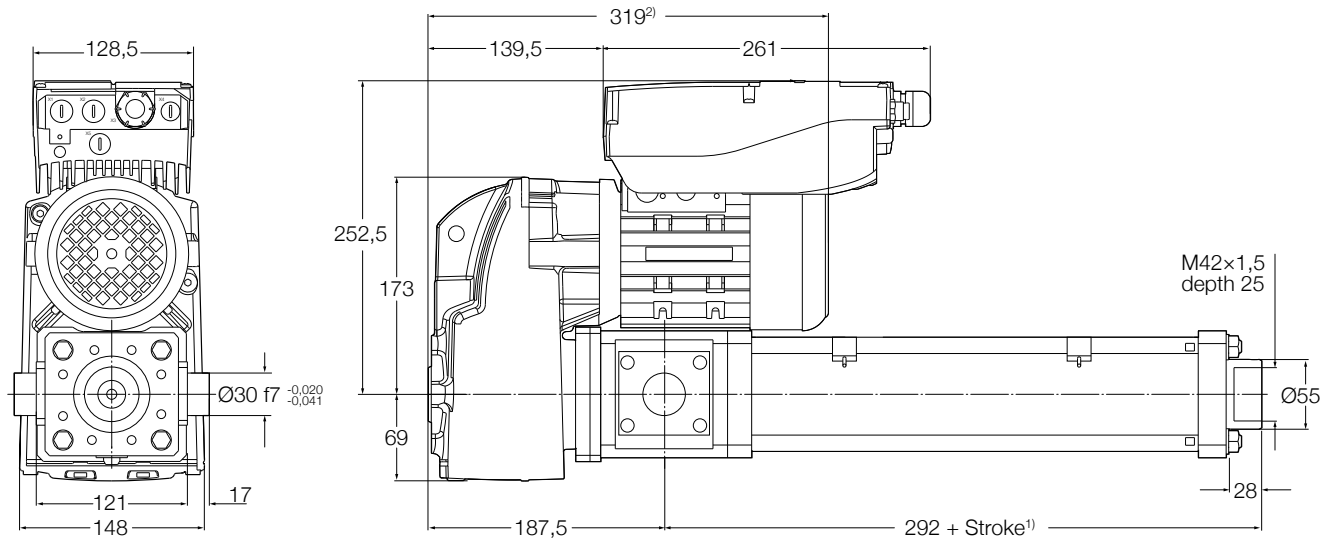
# LEMC-A-3005 L-configuration - Dimensional drawing



<sup>1)</sup> Add 30 mm for anti-rotation option

<sup>2)</sup> Add 40 mm for Brake option

# LEMC-A-3005 parallel - Dimensional drawing



<sup>1)</sup> Add 30 mm for anti-rotation option

<sup>2)</sup> Add 40 mm for Brake option