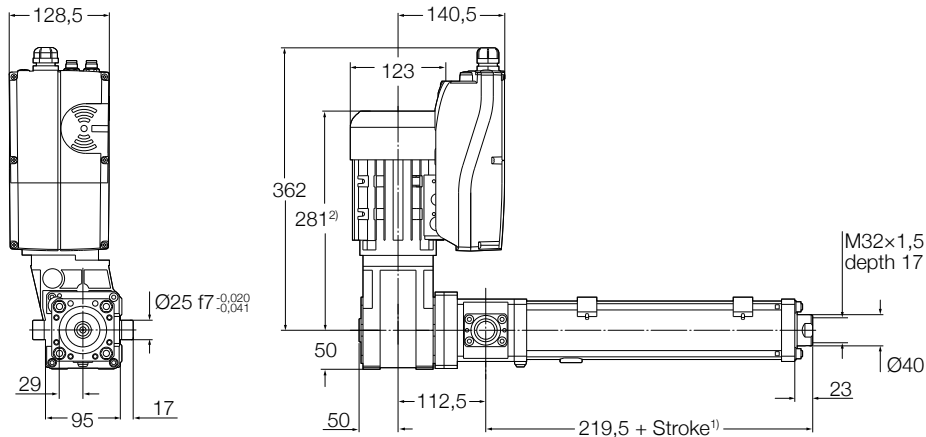


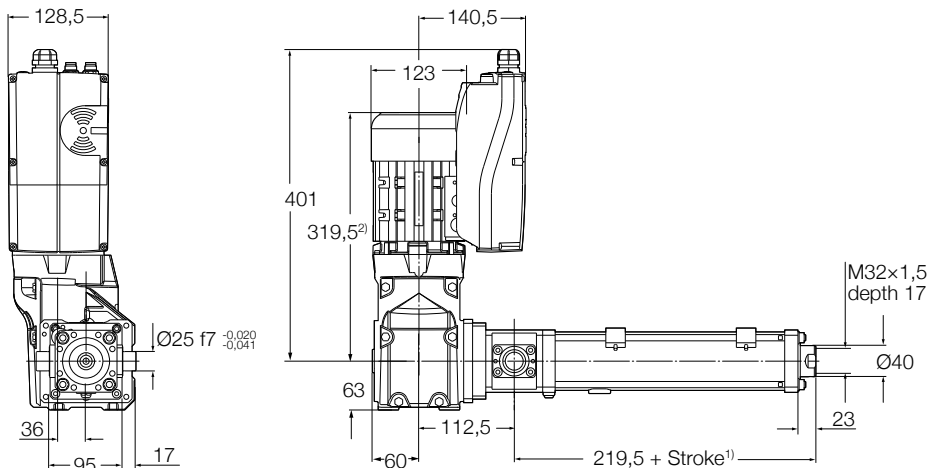
LEMC-A-2110 L-configuration - Dimensional drawing

LEMC-A-21xx-...-B054LAA2SN

LEMC-A-21xx-...-B151LAA2SN



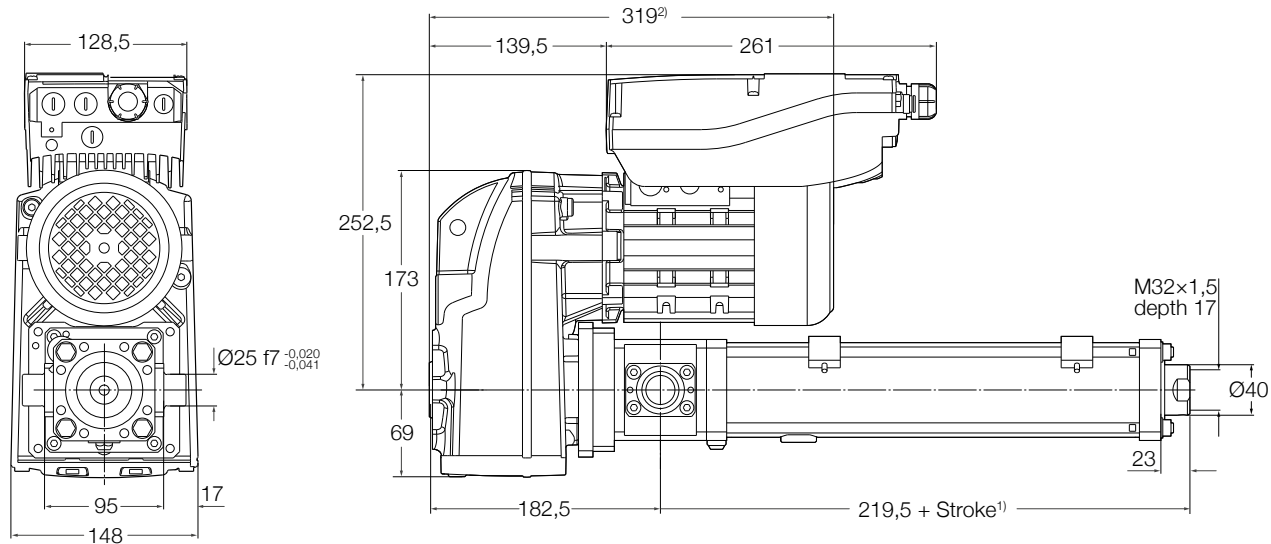
LEMC-A-21xx-...-B319LBA2SN



¹⁾ Add 30 mm for anti-rotation option

²⁾ Add 40 mm for Brake option

LEMC-A-2110 parallel - Dimensional drawing



¹⁾ Add 30 mm for anti-rotation option

²⁾ Add 40 mm for Brake option