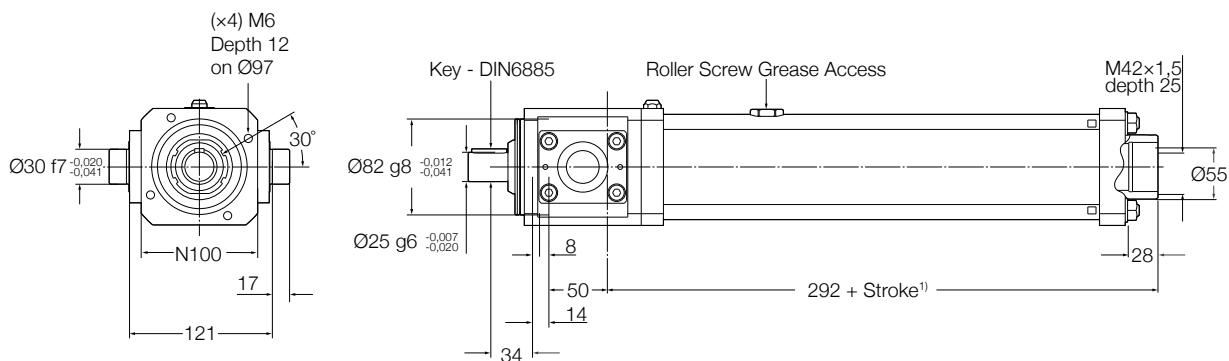
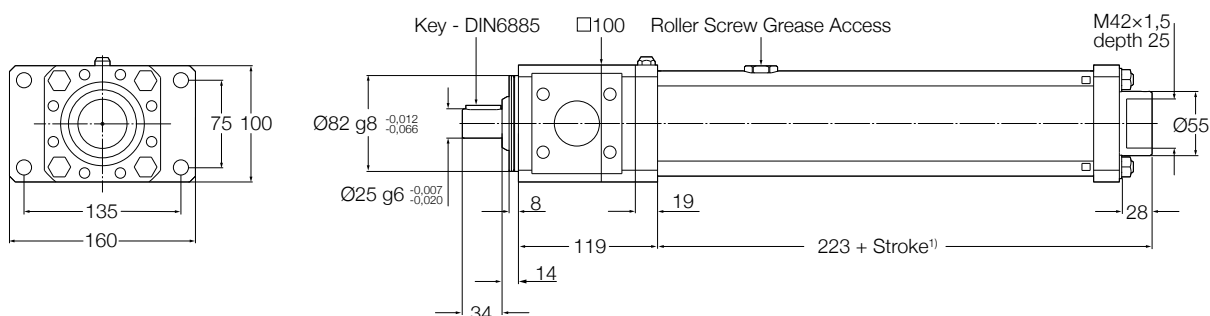


LEMU-U-30 - linear unit - Dimensional drawing

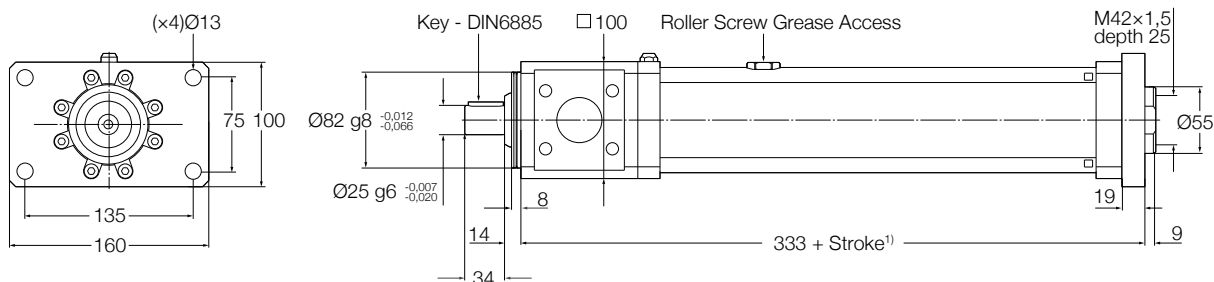
LEMU-U-30xx-xxxx-TNNx-NNN (Trunnions)



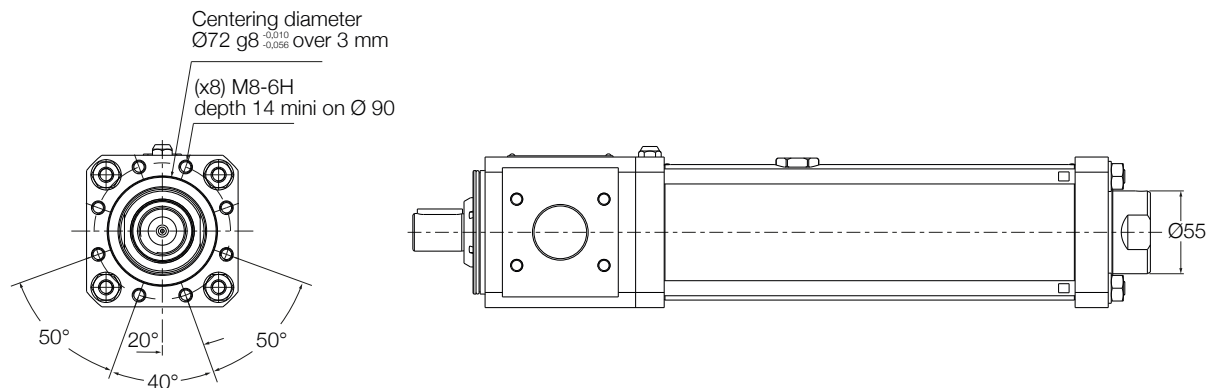
LEMU-U-30xx-xxxx-BNNx-NNN (Back plate)



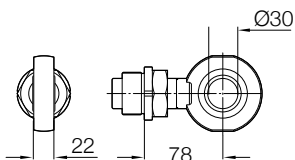
LEMU-U-30xx-xxxx-FNNx-NNN (Front plate)



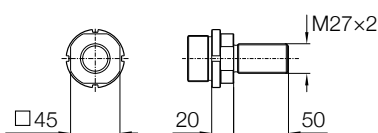
LEMU-U-30xx-xxxx-NNNx-NNN



LEMU-U-30xx-xxxx-xRxx (Rod end)



LEMU-U-30xx-xxxx-xMxx (Male attachment)



¹⁾ Add 30 mm for anti-rotation option