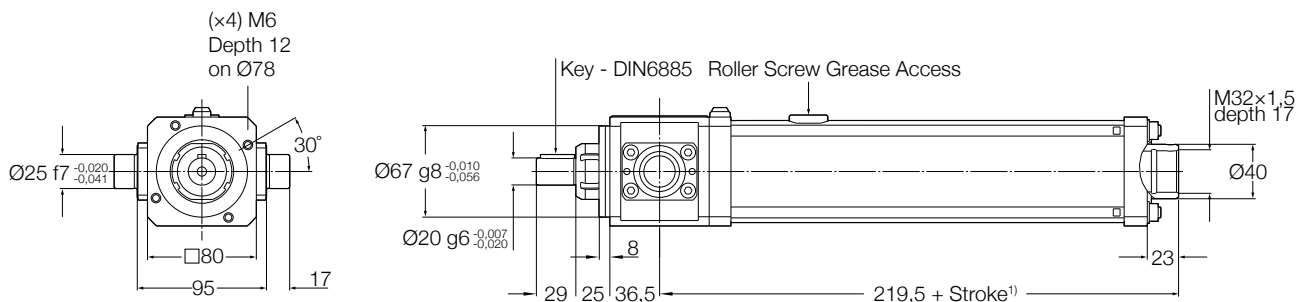
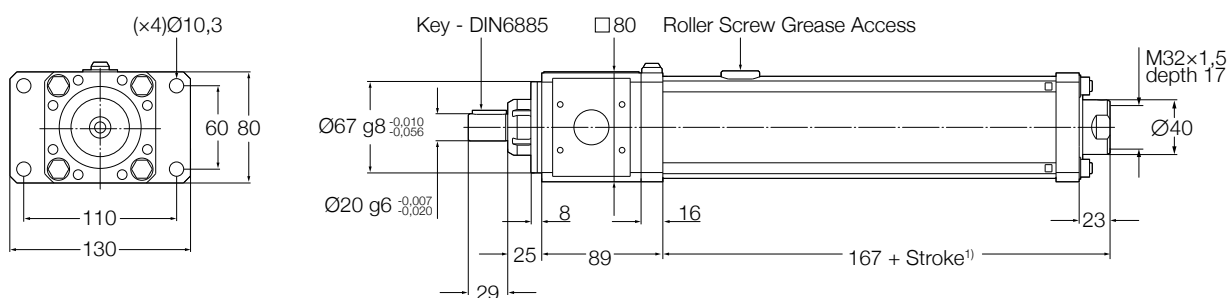


LEMC-U-21 linear unit - Dimensional drawing

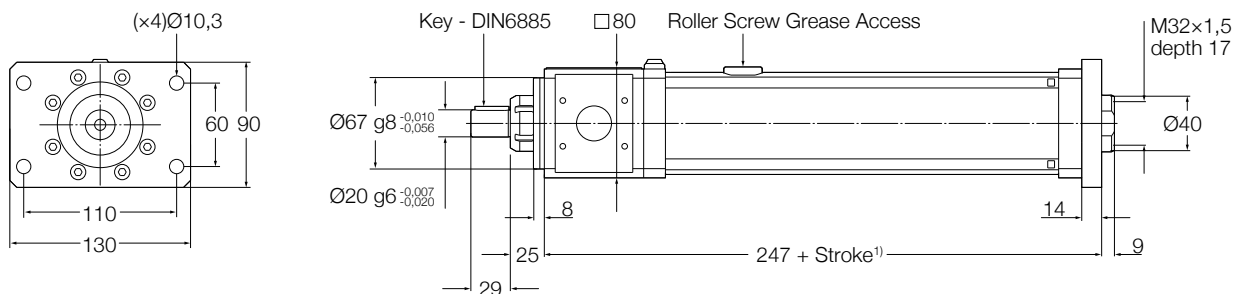
LEMC-U-21xx-xxxx-TNNx-NNN (Trunnions)



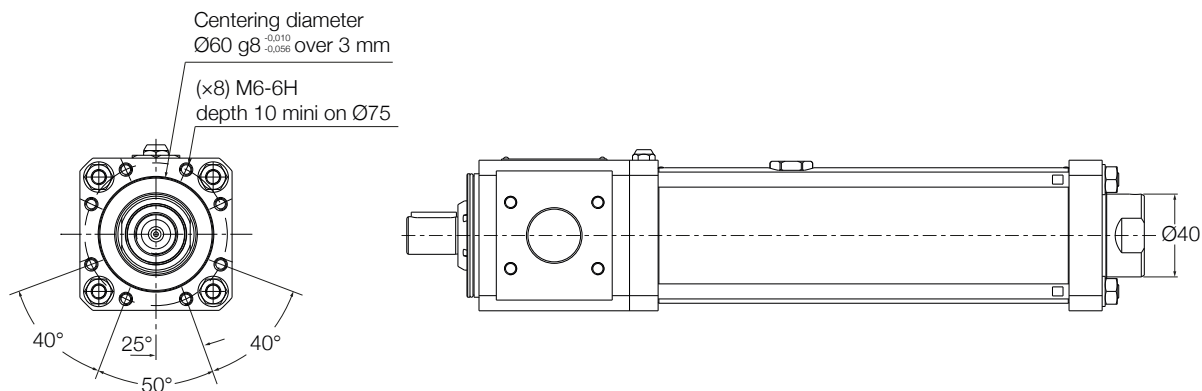
LEMC-U-21xx-xxxx-BNNx-NNN (Back plate)



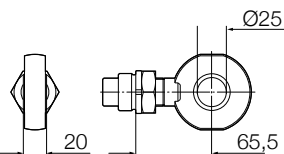
LEMC-U-21xx-xxxx-FNNx-NNN (Front plate)



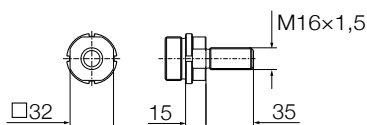
LEMC-U-21xx-xxxx-NNNx-NNN



LEMC-U-21xx-xxxx-xRxx (Rod end)



LEMC-U-21xx-xxxx-xMxx (Male attachment)



¹ Add 30 mm for anti-rotation option