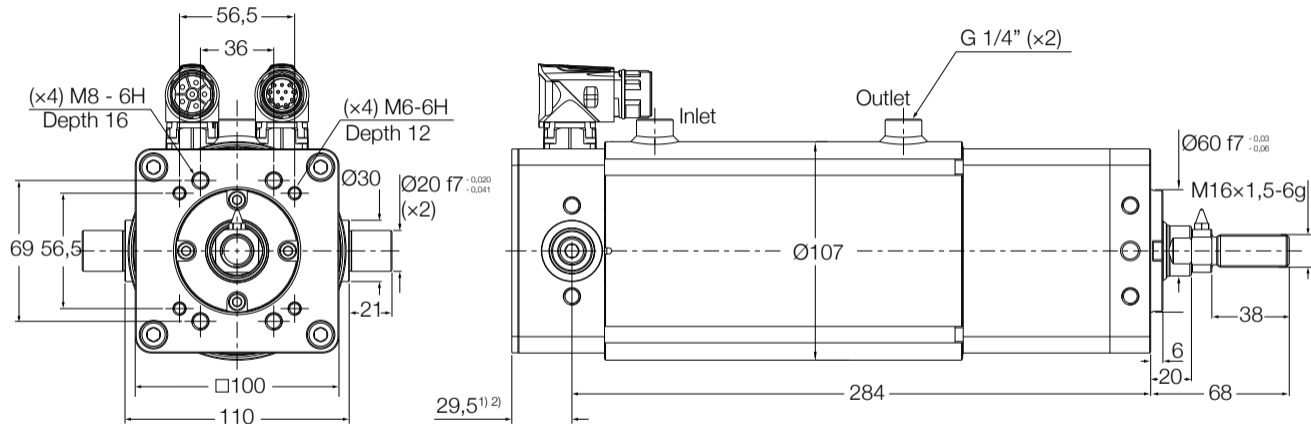


# CEMC-2105 water cooling - Dimensional drawing



<sup>1)</sup> For brake option, add 44 mm

<sup>2)</sup> Additional length varies depending on the type of feedback device: for R1 and R2 is 29.5 mm as shown, for S1 add 20 mm and for H1 add 39 mm

**NOTE:** For other feedback options, please contact Ewellix.