

WHY EWELLIX

Ball Screws

Compact, efficient, precise



Ewellix ball screws are widely used in a variety of applications where high accuracy, efficiency and long service life are needed.

We offer a wide range of screw types and nut sizes to suit almost every customer requirement.

Different applications can have very different needs and our ball screws can be tailored to the various requirements with customized shaft machined ends and an assortment of accessories to ease integration in existing systems.

Our dedicated manufacturing processes with precision rolling and in-house heat treatment are the main contributors to the product's high quality.

Most standard components are available in stock for quick delivery.

Common applications

- Lifting and handling
- Woodworking machinery
- Printing machinery
- Food and beverage
- General automation
- Metal forming
- Machine tools
- Medical equipment

General features



Wide assortment of leads
2 to 50mm



Precision rolled screws
Classes G9, G7 and G5 available



Axial play and preload
Different levels available



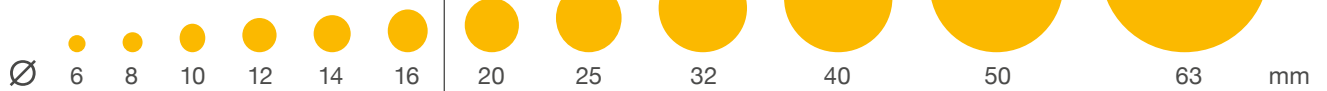
Highly efficient drive
Efficiency close to 90%

Ewellix broad range overview

Size

Miniature range

Standard range



Nut and flange designs



SD/SP



SH



SX



SND*



SN



SL

* SND: Nut interfaces according to DIN 69051



Application examples

Filling machine – Food and beverage

A machine that is used to fill either a bottle or a pouch. Type of food products may range from solid to semi-solids, from liquids to frozen.

Why Ewellix ball screws:

- Available in stainless steel up to Ø16mm
- Extremely compact design
- Adapted to operate in a clean environment

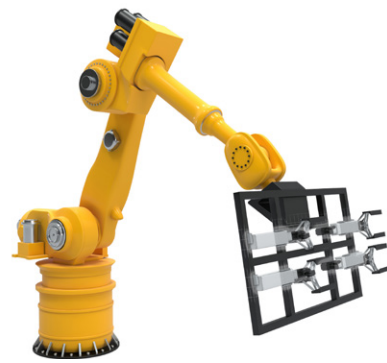


Automotive assembly and automation applications

A flexible end effector is the device at the end of a robotic arm, designed to handle objects in an assembly line.

Why Ewellix ball screws:

- High positioning accuracy (repeatability)
- High rigidity
- Long life

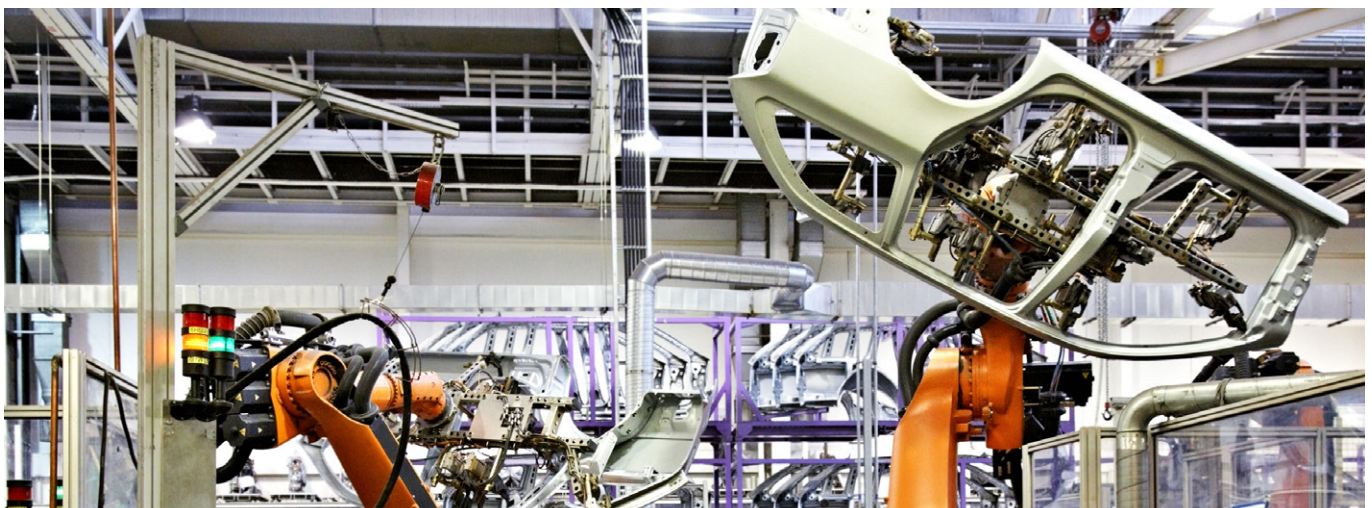
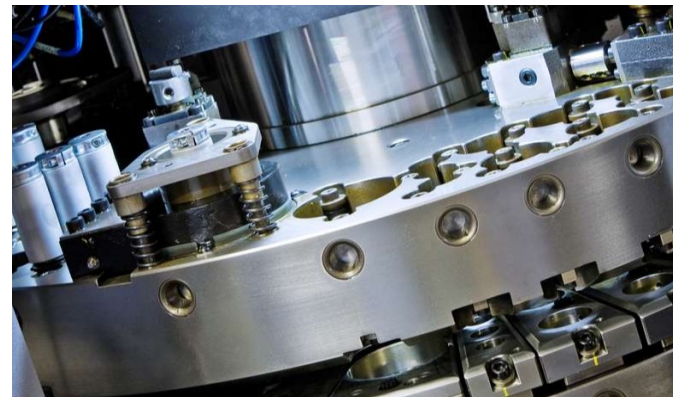


CNC punching machine – Metal forming

A specialty CNC punch machine used to position the steel plates with a precision of 50 µm in 1500 mm stroke.

Why Ewellix ball screws:

- Quick lead time and better cost compared to ground ball screw for long stroke
- High accuracy (G5) and repeatable positioning



Ewellix ball screws: how are they different?

Materials, heat treatment

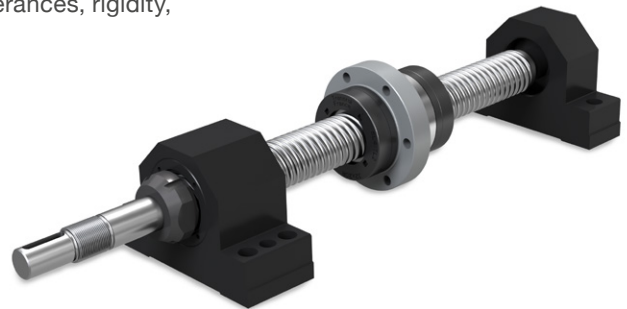
- Carbon and stainless steel versions available in standard sizes up to Ø16 mm
- Specific surface coating for improved ball screw performance upon request
- Perfect control of in-house heat treatment

Engineered solutions

- Customized solutions available upon request
- Engineering assistance in case of no drawing and/or lack of specifications
- Additional ball circuits for higher load
- Specific nut or shaft interfaces
- In-house testing facility for unexpected wear, tolerances, rigidity, hardness, etc.

Mounting accessories

- Various bearing support units for Ø16 to 63 mm
- Mounting flanges for threaded nose nuts
- Rotating nut assembly SLT for long lead series



Ewellix also offer optional steel inserts, safety rings and safety nuts for severe or vertical applications.

Ewellix ball screw additional services

- Rolled shafts in lengths up to 5,7 m
- Nuts on sleeve in various configurations
- Available in stock for quick deliveries
- Multiple options for shaft end machining

Short lead time service center for end machining and urgent demands



Nuts on sleeve	3-5 days
Rolled shafts	5 days
Complete screw	10-15 days

ewellix.com

© Ewellix
 All contents of this publication are the property of Ewellix, and may not be reproduced or given to third parties (even extracts) without permission. Although great care has been taken in the production of this catalog, Ewellix does not take any responsibility for damage or other loss resulting from omissions or typographical errors. The photo may differ slightly in appearance from the actual product. Due to continuous improvements being made in our products, the product's appearance and specifications are subject to change without notice.