

EWELLIX

A Schaeffler Company

Vertical axis for any collaborative robots LIFTKIT-0S



The heritage of innovation

Ewellix is a global innovator and manufacturer of linear motion and actuation solutions. Our state-of-the-art linear solutions are designed to increase machine performance, maximise uptime, reduce maintenance, improve safety and save energy. We engineer solutions for assembly automation, medical equipment, mobile machinery, distribution and a wide range of other industrial applications.

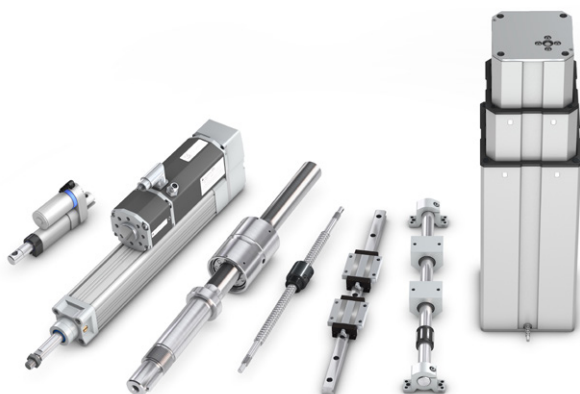
Technology leadership

We earned our reputation through decades of engineering excellence. Our journey began over 50 years ago as part of the SKF Group, a leading global technology provider. Our history provided us with the expertise to continuously develop new technologies and use them to create cutting edge products that offer our customers a competitive advantage.

In 2019, we became independent and changed our name to Ewellix. We are proud of our heritage. This gives us a unique foundation on which to build an agile business with engineering excellence and innovation as our core strengths.

Global presence and local support

With our global presence, we are uniquely positioned to deliver standard components and custom-engineered solutions, with full technical and applications support around the world. Our skilled engineers provide total life-cycle support, helping to optimise the design, operation and maintenance of equipment thus improving productivity and reliability while reducing costs. At Ewellix, we don't just provide products; we engineer integrated solutions that help customers realise their ambitions.



Schaeffler Group – We pioneer motion

Ewellix is since 2023 owned by the Schaeffler Group.

As a leading global supplier to the automotive and industrial sectors, the Schaeffler Group has been driving forward groundbreaking inventions and developments in the fields of motion and mobility for over 75 years.

With innovative technologies, products, and services for electric mobility, CO₂-efficient drives, Industry 4.0, digitalization, and renewable energies, the company is a reliable partner for making motion and mobility more efficient, intelligent, and sustainable.

Schaeffler manufactures high-precision components and systems for powertrain and chassis applications as well as rolling and plain bearing solutions for a large number of industrial applications.



Benefits for handling and inspection

Ewellix provides effective solutions to complete vertical adjustment in a smart way with a wide range of “ready to mount” additional linear axis solutions. We designed them for different applications, giving to your robot an extended operation range.

Fully automated pick and place solutions are becoming a new standard with packaging stations.

A standard collaborative robot does not have such a large vertical working range. With the Ewellix LIFTKIT the base of the robot can be lifted or lowered to work at optimal position.

Stacking on pallets starts at floor level, but the stack can be up to 2 m high, and that's where LIFTKIT can increase your packaging station efficiency.

And every time you need a repetitive operation, as end of line quality inspection, our LIFTKIT can guarantee precision and reliability to maximize your results.

Here below an application example in automotive assembly lines, with a custom LIFTKIT vertical axis for ceiling mounting installation.



Linear axis for collaborative robots LIFTKIT-0S

Operating range extension

- Vertical lifting of the cobot by up to 1 400 mm with compact retracted height
- Robust column design for industrial use, vibration free motion and virtually maintenance free

Plug-and-play solution

- Hardware compatible with small and medium size robot < 50 kg and enhanced version for large robot 50 to 75 kg
- LIFTKIT control through TCP/IP

Cost savings and higher productivity

Cobots combined with Ewellix LIFTKIT provide a cost-effective solution to upgrade an existing assembly shop, moving from a manual handled to a fully automatized line.

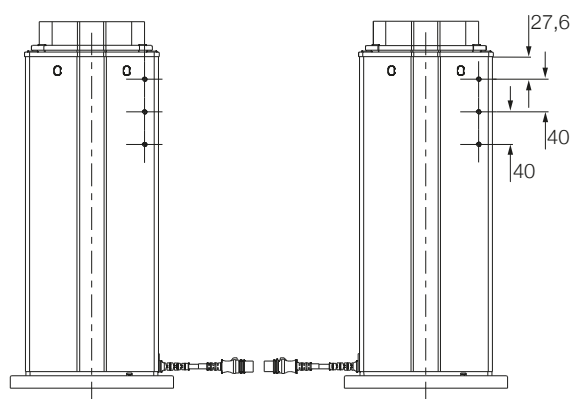
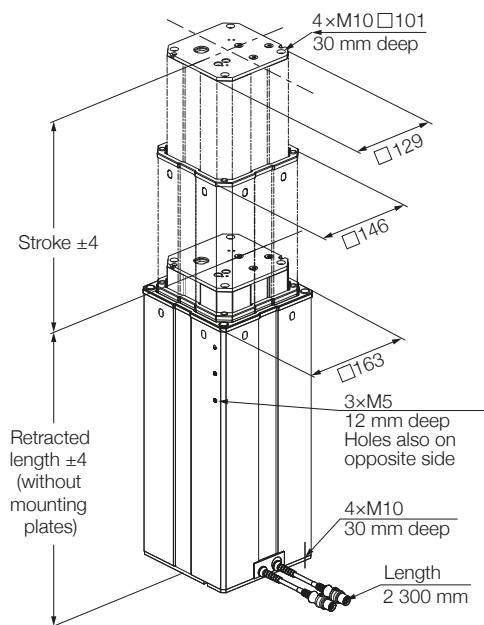
Technical data

	Unit	LIFTKIT-0S-601	LIFTKIT-0S-620
Column type	-	TLT	TLT
Performance Data			
Max. Push load	N	1 500	1 500
Max. Pull load	N	0	0
Max. static moment	Nm	3 000	3 000
Max. linear speed	mm/s	80	80
Duty cycle	-	10% (20% at 500N)	10%
Mechanical Data			
Screw type	-	Acme screw	Acme screw
Stroke range	mm	500 - 1 400	800
Retracted length (software controlled)	mm	Stroke/2 + 275	Stroke/2 + 475
Weight @ 0 mm stroke	kg	21	26 (stroke 800mm)
Δ weight per 500 mm stroke	kg	1,7	
Robots compatibility	-	Small and medium robot (<50 kg)	Large robot (50-75 kg)
Cable management	-	Threads on column and interface plate to attach cable management	Threads on column and interface plate to attach cable management
Electrical			
Input Voltage/Current	-	120 VAC / 6,5 A 230 VAC / 3,3 A	120 VAC / 6,5 A 230 VAC / 3,3 A
Input frequency	Hz	50-60	50-60
Input Fuse	A	10	10
I/O voltage	-	24 VDC	24 VDC
I/O current	-	max. 10 A not protected	max. 10 A not protected
Emergency stop	-	STO up to PLe, Cat.4	STO up to PLe, Cat.4
Communication			
Control interface	-	TCP/IP	TCP/IP
Positioning, repeatability	mm	± 1	± 1
Accessible positions	-	any	any
Feedback	-	Position & Status	Position & Status
Soft start and stop	-	Implemented for smooth operation	Implemented for smooth operation
Environment			
Type of protection	-	IP40	IP40
Ambient temperature	°C	+10 to +40	+10 to +40
Max. humidity	%	85	85
Vibration	-	Stationary industrial environment	Stationary industrial environment

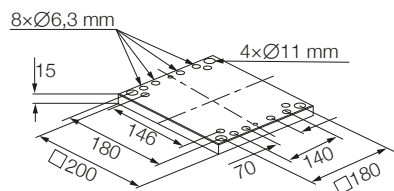
Dimensional drawing

TLT lifting column

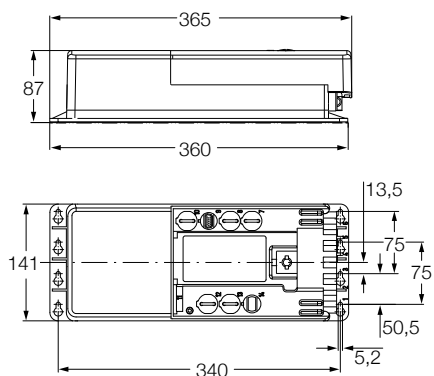
TLT Column



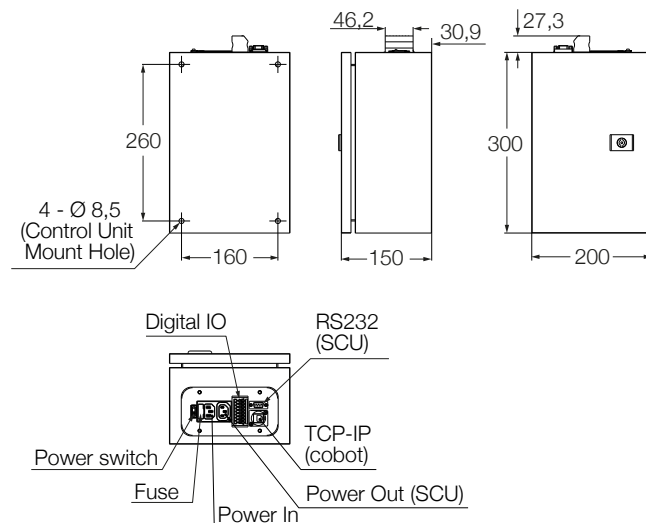
Bottom fixation plate



Controller



SBOX



Cobot LIFTKIT compatibility

Robot Size	Brand	Item	recommended LIFTKIT size	LIFTKIT >10
Small & medium	ABB	Gofa 10	LIFTKIT-0S-601	LIFTKIT-TX-601 ORP
Small & medium	ABB	Gofa 12	LIFTKIT-0S-601	LIFTKIT-TX-601 ORP
Small & medium	Aubo	i5	LIFTKIT-0S-601	LIFTKIT-TX-601 ORP
Small & medium	DOOSAN	M0609	LIFTKIT-0S-601	LIFTKIT-TX-601 ORP
Small & medium	KUKA	LBR med 14 R820	LIFTKIT-0S-601	LIFTKIT-TX-601 ORP
Small & medium	KUKA	LBR iiwa	LIFTKIT-0S-601	LIFTKIT-TX-601 ORP
Small & medium	KUKA	LBR iisy 15 R930	LIFTKIT-0S-601	LIFTKIT-TX-601 ORP
Small & medium	Scheider Electric	LXMRL12	LIFTKIT-0S-601	LIFTKIT-TX-601 ORP
Small & medium	DOOSAN	M1509	LIFTKIT-0S-601	LIFTKIT-TX-601 ORP
Small & medium	DOOSAN	A0912/s	LIFTKIT-0S-601	LIFTKIT-TX-601 ORP
Small & medium	Kassow Robots	KR1018	LIFTKIT-0S-601	LIFTKIT-TX-601 ORP
Small & medium	Aubo	i16	LIFTKIT-0S-601	LIFTKIT-TX-601 ORP
Small & medium	KUKA	LBR iisy 11 R1300	LIFTKIT-0S-601	LIFTKIT-TX-601 ORP
Small & medium	DOOSAN	M1013	LIFTKIT-0S-601	LIFTKIT-TX-601 ORP
Small & medium	Aubo	i10	LIFTKIT-0S-601	LIFTKIT-TX-601 ORP
Small & medium	DOOSAN	M0617	LIFTKIT-0S-601	LIFTKIT-TX-601 ORP
Small & medium	Dobot	CR3	LIFTKIT-0S-601	LIFTKIT-TX-601 ORP
Small & medium	Dobot	CR5	LIFTKIT-0S-601	LIFTKIT-TX-601 ORP
Small & medium	Dobot	CR10	LIFTKIT-0S-601	LIFTKIT-TX-601 ORP
Large	Aubo	i 20	LIFTKIT-0S-620	LIFTKIT TX 620
Large	DOOSAN	P2030	LIFTKIT-0S-620	LIFTKIT OS 620
Large	DOOSAN	H2515	LIFTKIT-0S-620	LIFTKIT-TX-620 ORP
Large	JAKA	Pro16	LIFTKIT-0S-620	LIFTKIT-TX-620 ORP
Large	DOOSAN	H2017	LIFTKIT-0S-620	LIFTKIT-TX-620 ORP
Large	JAKA	ZU20	LIFTKIT-0S-620	LIFTKIT-TX-620 ORP
Large	JAKA	Zu20S	LIFTKIT-0S-620	LIFTKIT-TX-620 ORP
Large	Dobot	CR20	LIFTKIT-0S-620	LIFTKIT-TX-620 ORP

NOTE: Top plate is not included in the offer, but can be added; for that please contact Ewellix.

LIFTKIT contains



Quick start guide



Control unit SCU



SBOX



Lifting column TL



Bottom mounting plate



EHA31 operating handswitch



SBOX Key



SBOX I/O cable



SBOX power cable



SBOX to controller power cable



Controller I/O cable



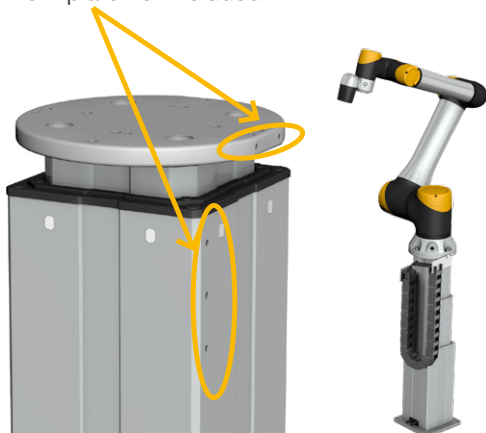
RS232 cable



Ethernet cable

Cable management

Threads for cable management attachments.
Attachment plate not included.



Software functionality

The TCP/IP connection for the LIFTKIT allows easy integration in any robot environment.

Setup & Programming

The TCP/IP interface allows the easy set up and control the LIFTKIT. Through string based commands the LIFTKIT can access multiple positions while getting feedback about current position and status.

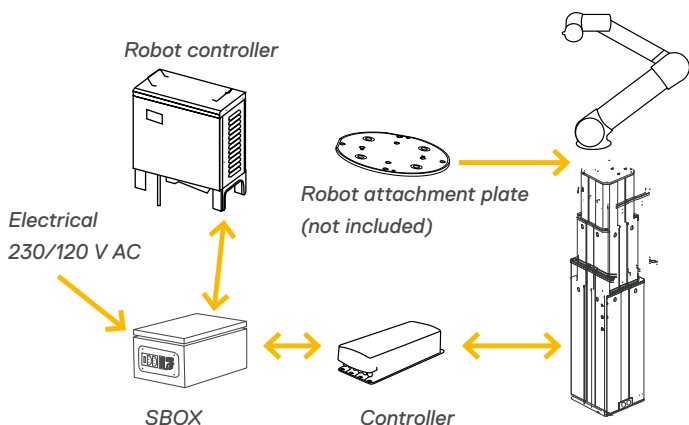
Safety elements

The LIFTKIT has a range of safety elements built in to allow its integration into a robot application, including safety relay certified according ISO 13849-1, allowing STO up to PLe, Cat. 4.

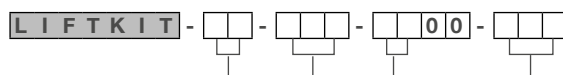
Software updates

To download the latest software update please check on ewellix.com/support/media-library -> [Software updates](#) -> [LIFTKIT](#)

Connection diagram



Ordering key



Robot
0S any robot

Stroke	Stroke	Retracted length	Extended length
500	500 mm	525 mm	1 025 mm
600	600 mm	575 mm	1 175 mm
700	700 mm	625 mm	1 325 mm
800	800 mm	675 mm	1 475 mm
800*	800mm	875 mm*	1 675 mm*
900	900 mm	725 mm	1 625 mm
A00	1 000 mm	775 mm	1 775 mm
B00	1 100 mm	825 mm	1 925 mm
C00	1 200 mm	875 mm	2 075 mm
D00	1 300 mm	925 mm	2 225 mm
E00	1 400 mm	975 mm	2 375 mm

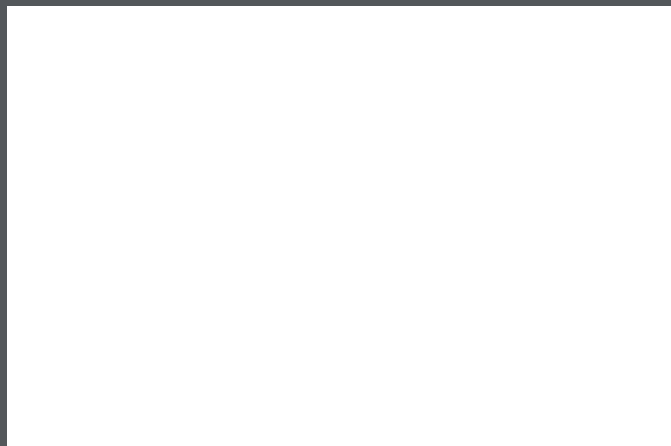
Electrical options

11	120 V AC / US cable
22	230 V AC / EU cable
23	230 V AC / CN cable
24	230 V AC / UK cable
25	230 V AC / CH cable

Column type

601	TLT
620	for large robot

* 620 TLT version is only available in 800 mm stroke, for other strokes, please contact Ewellix



ewellix.com

© Ewellix

All contents of this publication are the property of Ewellix, and may not be reproduced or given to third parties (even extracts) without permission. Although great care has been taken in the production of this catalog, Ewellix does not take any responsibility for damage or other loss resulting from omissions or typographical errors. The photo may differ slightly in appearance from the actual product. Due to continuous improvements being made in our products, the product's appearance and specifications are subject to change without notice.

PUB NUM IL-07029/5-EN-December 2024

Schaeffler and the Schaeffler logo are trademarks of the Schaeffler Group.