

Lifting columns TLC



Push or pull load



High bending load



Quiet



Powerful



Plug and play



Standards
EN/IEC 60601-1
UL 60601-1

TLC

Telemag lifting column



Benefits

- Push or pull load
- High bending load
- Quiet
- Powerful
- Plug and play

Standards

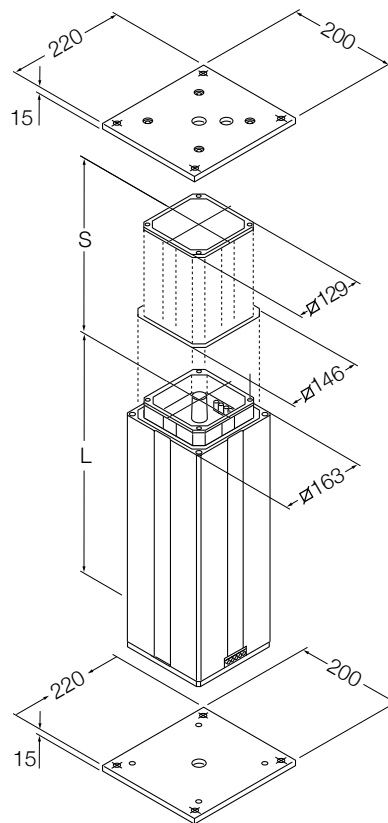
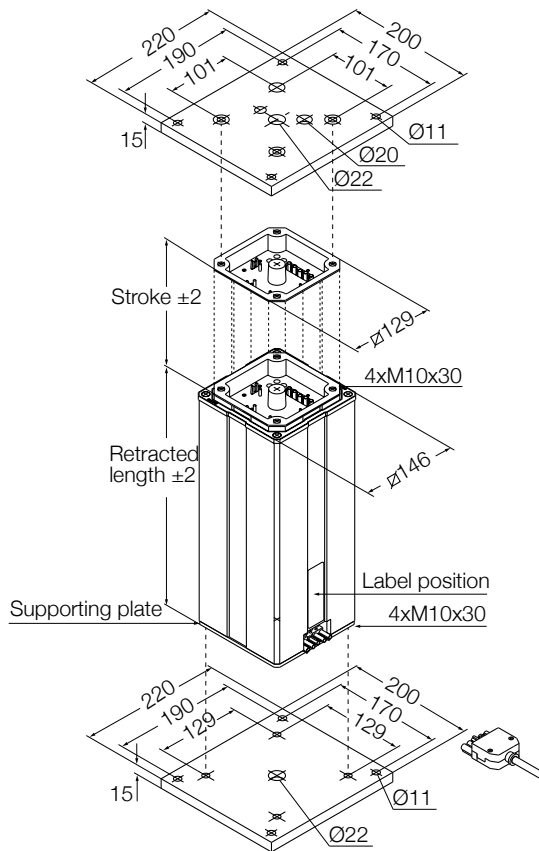
- EN/IEC 60601-1
- UL 60601-1

Technical data

		Unit	TLC 12ZWAS	TLC 12ZWAK	TLC 12ZWDS	TLC 12ZWDK
Rated push load		N	4 000	4 000	4 000	4 000
Rated pull load		N	4 000	4 000	4 000	4 000
Bending load		Nm	up to 630 ¹⁾	up to 630 ¹⁾	up to 2 100 ¹⁾	up to 2 100 ¹⁾
Speed (full load to no load)	120 V AC	mm/s	16 to 22	16 to 22	16 to 22	16 to 22
	230 V AC	mm/s	11 to 17	11 to 17	11 to 17	11 to 17
Lifting column version		# of section	2-section	2-section	3-section	3-section
Stroke		mm	100 to 700	100 to 700	255 to 700	255 to 700
Retracted length (push version)		mm	S+175	S+175	S+60	S+60
Retracted length (pull version)		mm	S+185	S+185	S+70	S+70
Voltage		V AC	120 or 230	120 or 230	120 or 230	120 or 230
Power	120 V AC	W	1 200	1 200	1 200	1 200
	230 V AC	W	890	890	890	890
Current	120 V AC	A	10	10	10	10
	230 V AC	A	4,1	4,1	4,1	4,1
Duty cycle: intermittent operation	120 V AC	min.	0,8 min./37 min.	0,8 min./37 min.	0,8 min./37 min.	0,8 min./37 min.
	230 V AC	min.	1 min./37 min.	1 min./37 min.	1 min./37 min.	1 min./37 min.
Duty cycle: short-time operation	120 V AC	min.	1,2	1,2	1,2	1,2
	230 V AC	min.	2	2	2	2
Ambient temperature		°C	+10 to +40	+10 to +40	+10 to +40	+10 to +40
Degree of protection		IP	20/30	20/30	20/30	20/30
Protection class		–	I	I	I	I
Type of control		–	electrical	pneumatic	electrical	pneumatic
Weight		kg	15,2-24,5	15,2-24,5	18,3-30,5	18,3-30,5

¹⁾ For details, please see bending load diagrams (↳ page 223)

Dimensional drawing

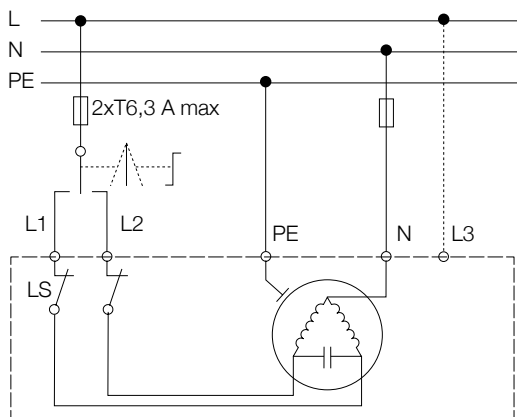


Note: mounting plates are not included. To be ordered separately.

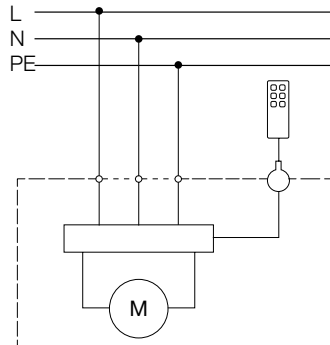
Legend:
S = stroke
L = retracted length

Connecting diagrams

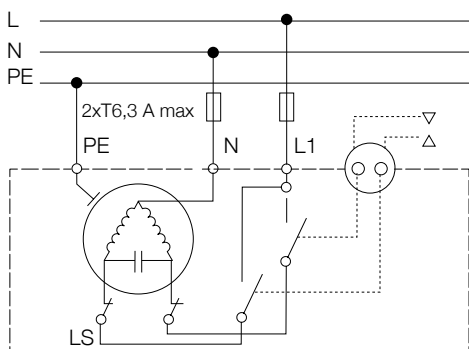
Electric



120-230 V AC



Pneumatic



Suitable control units and accessories

	PHC	PFP	PAM
TLC pneumatic*	•	•	•

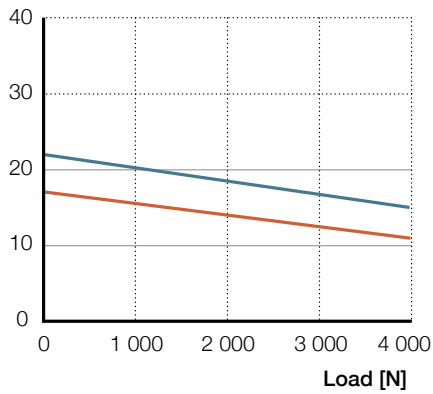
* Integrated control unit

- Hand switch
- Foot switch
- Desk switch

Performance diagram

Speed-load diagram

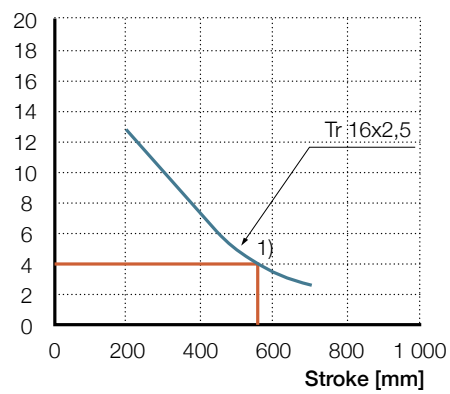
Speed [mm/s]



— 120 V AC version — 230 V AC version

Safety factor load conditions

Safety factor [screw buckling]

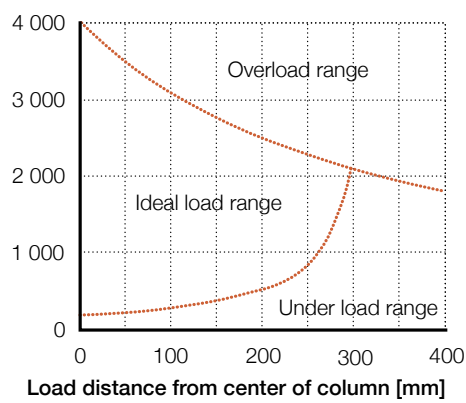


¹⁾ Safety factor =4

Bending load diagrams

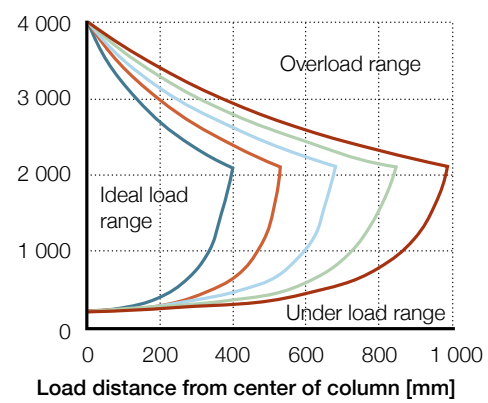
Bending load diagram 2-section

Load [N]



Bending load diagram 3-section

Load [N]



— 300 — 400 — 500 — 600 — 700

Accessories

	Designation	Order number
Top mounting plate for 2x tube set	ZPL-290268	0125624
Bottom mounting plate for 2x tube set	ZPL-290351	0125625
Top mounting plate for 3x tube set	ZPL-290268	0125624
Bottom mounting plate for 3x tube set	ZPL-290265	0125623
Screw (4/plate) for mounting plate	ZBE-510707	0125360
Plug AC Telemag 3 pin	ZEL-265518	0124866
Plug AC Telemag 5 pin	ZEL-265519	0124864

Ordering key

T L C 1 2 W - 0

Type _____

Load _____

Z 4 000 N

Tube set _____

A Tube set 2x
D Tube set 3x

Control _____

S Electrical control
K Pneumatic control
N **Low-voltage control**

Voltage _____

- 230 V AC/50 Hz (no code)
2U 120 V AC/60 Hz

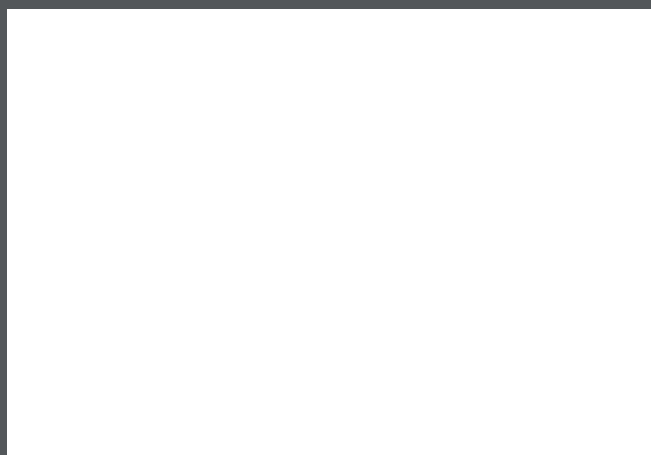
Construction _____

0 Push load
1 **Customer-specific**
3 Pull load

Stroke [S] _____

1 100 mm, only for tube set 2x, push
1 255 mm, only for tube set 3x, push
2 200 mm, only for tube set 2x
3 300 mm
4 400 mm
5 500 mm
6 600 mm
7 700 mm

Options shown in red are only available on demand. Contact Ewellix for more information on minimum quantities and additional cost.



ewellix.com

© Ewellix

All contents of this publication are the property of Ewellix, and may not be reproduced or given to third parties (even extracts) without permission. Although great care has been taken in the production of this catalog, Ewellix does not take any responsibility for damage or other loss resulting from omissions or typographical errors. The photo may differ slightly in appearance from the actual product. Due to continuous improvements being made in our products, the product's appearance and specifications are subject to change without notice.

PUB IL-07010/2-EN-November 2021