

Linear actuator Ecomag



Compactness



Cost effective



Silent operation



Control unit can be mounted
to the actuator



Ecomag

Linear actuator

Benefits

- Compact
- Cost effective
- Silent operation
- Control unit can be mounted to the actuator

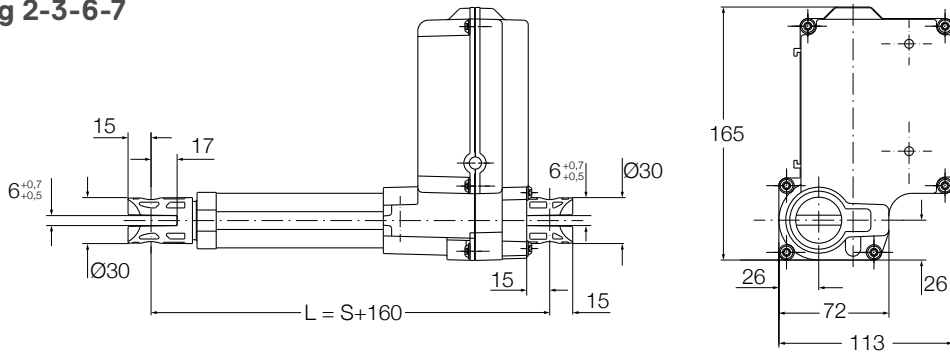


Technical data

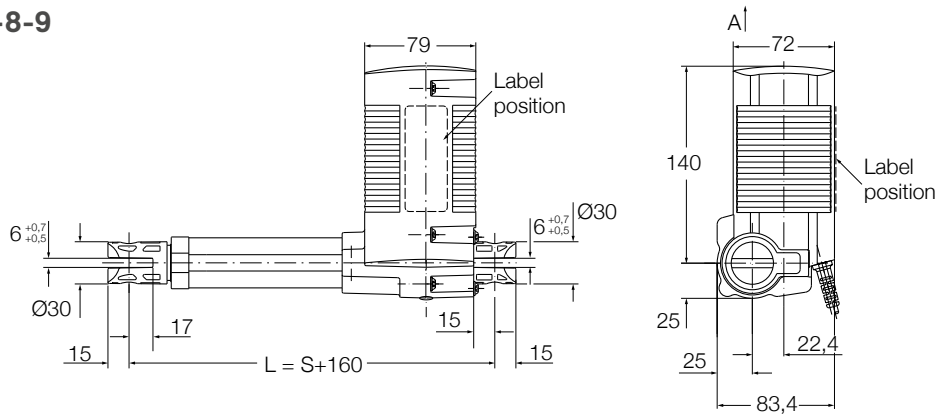
	Unit	ECO 20/40	ECO 60/80	ECO 30/50	ECO 70/90
Rated push load	N	2 000	6 000	2 000	6 000
Rated pull load	N	0	0	2 000	4 000
Speed (full load to no load)	mm/s	9 to 13	4 to 7	9 to 13	4 to 7
Stroke	mm	50 to 300	50 to 300	50 to 300	50 to 300
Retracted length	mm	S+160	S+160	S+160	S+160
Voltage	V DC	24	24	24	24
Power consumption	W	70	120	70	120
Current consumption	A	4	6	4	6
Duty cycle	%	10 (1/9)	10 (1/9)	10 (1/9)	10 (1/9)
Ambient temperature	°C	+10 to +40	+10 to +40	+10 to +40	+10 to +40
Type of protection	IP	×4S	×4S	×4S	×4S
Weight	kg	2,1	2,1	2,5	2,5
Color	–	Black or grey	Black or grey	Black or grey	Black or grey

Dimensional drawing

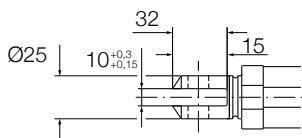
Ecomag 2-3-6-7



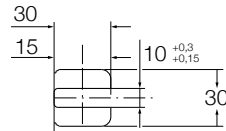
Ecomag 4 -5-8-9



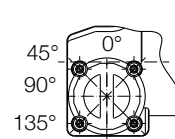
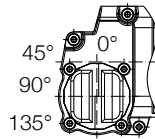
Front attachment push and pull version



Rear attachment push and pull version



Rear attachment position



Push version only

Push and pull version

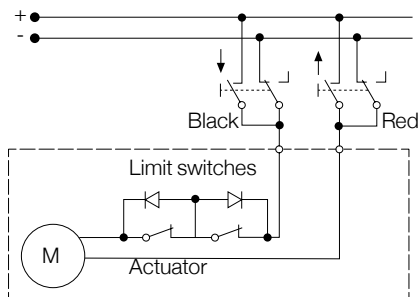
Legend:

S = stroke

L = retracted length

Connecting diagrams

Jack Plug 24 V DC



Suitable control units and accessories

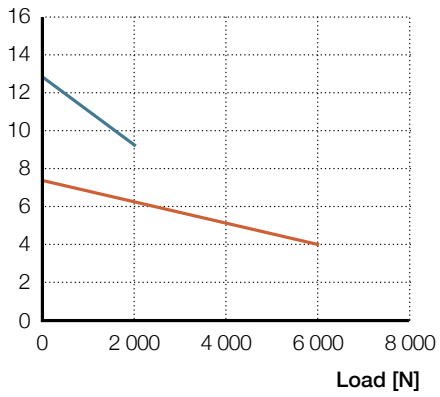
ECOMAG	Control units				
	SCU	VCU	BCU	MCU	SEM
Operating switches					
EHA 1				•	
EHA 3	•	•	•		
EHE					•
STJ	•	•	•		
STF				•	
STA				•	
STE	•	•	•		

Hand switch
 Foot switch
 Desk switch

Performance diagrams

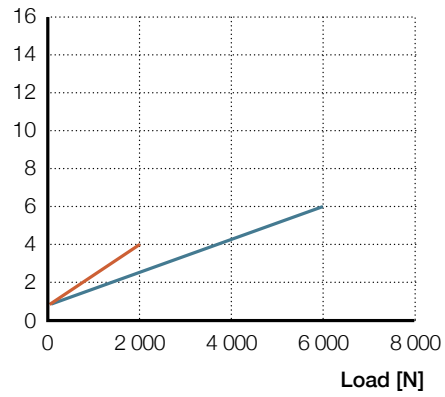
Speed-load diagram

Speed [mm/s]



Current-load diagram

Current consumption [A]

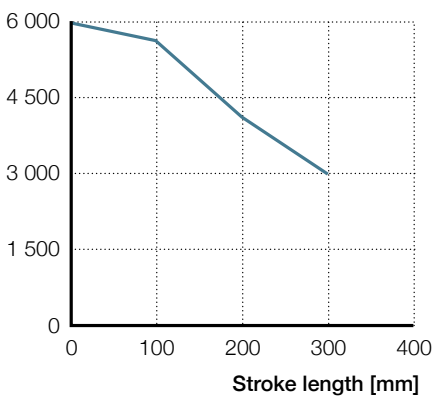


— ECO 20 / 30 / 40 / 50 — ECO 60 / 70 / 80 / 90

Safety factor load conditions

Push load reduction safety factor = 4

Push load [N]



Ordering key

Type _____

Load /Housing _____

	Push	Pull	Housing
2	2 000 N	0 N	Large
3	2 000 N	2 000 N	Large
4	2 000 N	0 N	Small
5	2 000 N	2 000 N	Small
6	6 000 N	0 N	Large
7	6 000 N	4 000 N	Large
8	6 000 N	0 N	Small
9	6 000 N	4 000 N	Small

Encoder _____

0 No encoder, coiled cable, 2-pin Minitfit plug or customization
 9 No encoder, coiled cable, DIN8 plug or customization
 F 2-Hall encoder, 8 pulses, straight cable, DIN8 plug (small housing only)

Current cut-off _____

0 No
 1 Yes (not available for ECO4.-/ECO5.-/ECO8.-/ECO9.-)

Stroke (S) _____

05 50 mm
 10 100 mm
 15 150 mm
 20 200 mm
 25 250 mm
 30 300 mm
 00 Other stroke lengths; 50<S<300 mm

Front attachment (groove depth 17 mm) _____

M Hole, Ø12 mm, groove width 10 mm
 X Customized

Rear attachment (groove depth 15 mm) _____

M Hole, w12 mm, groove width 10 mm
 X Customized

Orientation of rear attachment _____

1 0°
 3 45°
 5 90°
 7 135°

Color _____

A Black
 B Grey

Option _____

0 No option
 A Back-up nut (available only for drives with 6 kN, mandatory for IEC 60601-1) – only for ECO 7/9, L = +23 mm

Customization _____

Options shown in red are only available on request. Contact Ewellix for more information on minimum quantities and additional costs.



ewellix.com

© Ewellix

All contents of this publication are the property of Ewellix, and may not be reproduced or given to third parties (even extracts) without permission. Although great care has been taken in the production of this catalog, Ewellix does not take any responsibility for damage or other loss resulting from omissions or typographical errors. The photo may differ slightly in appearance from the actual product. Due to continuous improvements being made in our products, the product's appearance and specifications are subject to change without notice.

PUB NUM IL-07004/2-EN-November 2021