

# Linear actuator CAJA35C



Quick-release solution for fast CPR intervention



Detachable cable for quick assembly and service



Integrated brake to maintain self-locking and stability under maximum static load in compression



# CAJA35C

## Linear actuator

### Benefits

- Quick-release solution for fast CPR intervention
- Detachable cable for quick assembly and service
- Integrated brake to maintain self-locking and stability under maximum static load in compression



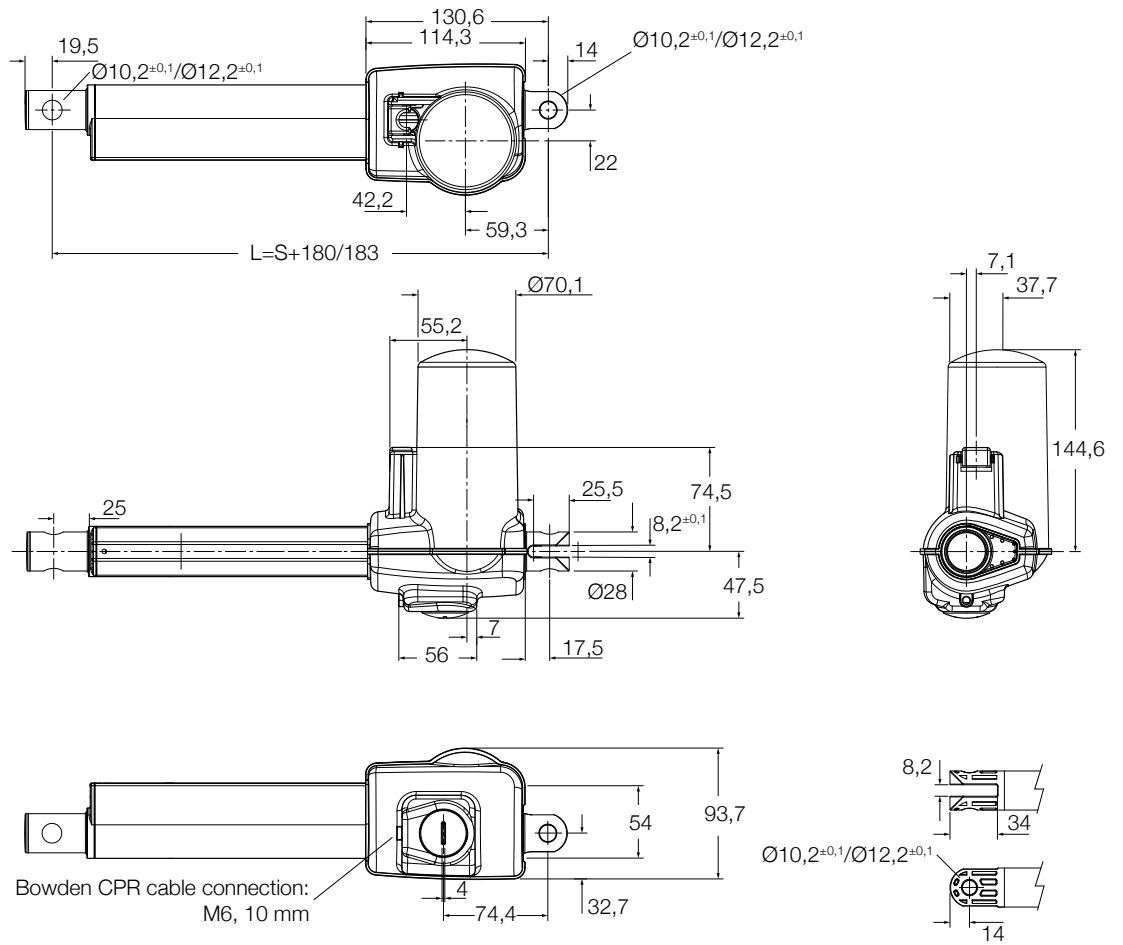
### Technical data

	Unit	CAJA35C
Push load	N	3 500
Speed (full load to no load)	mm/s	5,5 to 8,5
Stroke	mm	30 to 250
Retracted length <sup>1)</sup>	mm	S+180 <sup>2)</sup>
Voltage	V DC	24
Current consumption	A	4
Duty cycle	%	10
Ambient temperature	°C	+10 to +40
Degree of protection	IP	56
Weight	kg	2,5
Color	–	Grey

<sup>1)</sup> Tolerance  $\pm 3$  mm

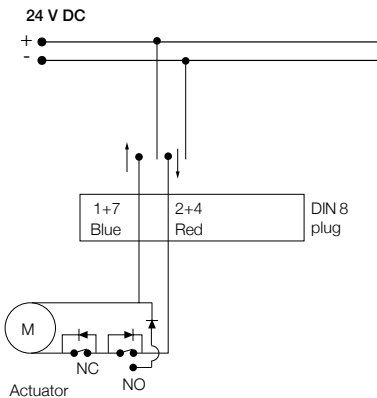
<sup>2)</sup> Retracted length +3 mm if U fork used as front attachment ( $L = S + 183$ )

**Dimensional drawing**



**Legend:**  
 S = stroke  
 L = retracted length

**Connecting diagrams  
 DC version**



**Suitable control units and accessories**

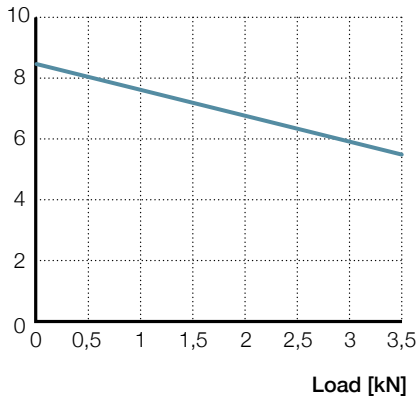
	Control units		
	SCU	VCU	BCU
<b>CAJA 35C</b>	•	•	•
<b>Operating switches</b>			
EHA 3	•	•	•
STJ	•	•	•
STE	•	•	•

Hand switch    Foot switch    Desk switch

## Performance diagrams

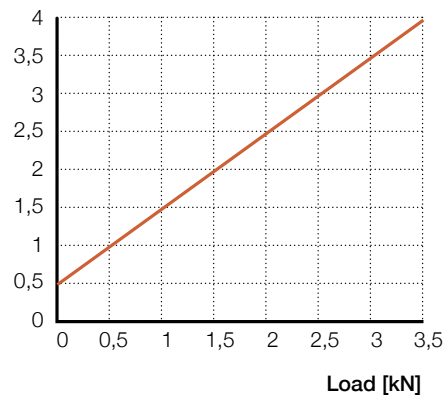
Speed-load diagram

Speed [mm/s]

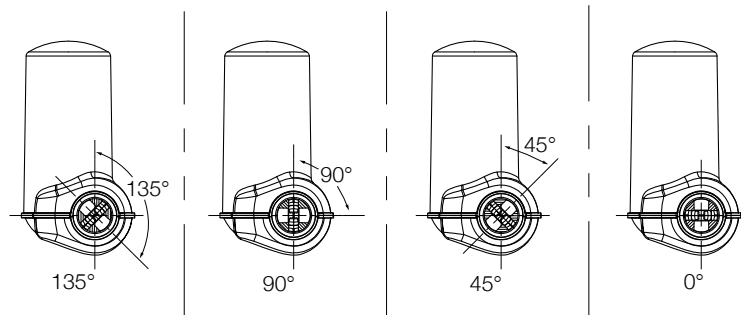


Current-load diagram

Current consumption [A]



## Orientation



## Accessories

Straight motor cable	Length [mm]
G517C0-094001-0460	460
G517C0-094001-1350	1 350
G517C0-094001-2650	2 650

## Ordering key



**Type**

**Stroke**

- 100 100 mm
- 200 200 mm
- 250 250 mm
- XXX All other customized strokes between 30-250 mm

**Rear attachment**

- A U-fork, metal, Ø10,2 mm
- B U-fork, metal, Ø12,2 mm

**Front attachment**

- A Tube with hole and metal bushings, Ø10,2 mm
- B Tube with hole and metal bushings, Ø12,2 mm
- C U-fork end, metal, Ø10,2 mm (increase "L" by 3 mm)
- D U-fork end, metal, Ø12,2 mm (increase "L" by 3 mm)

**Attachment orientation (clockwise)**

- 0 0°
- 1 45°
- 9 90°
- 2 135°

**Housing material**

ABS UL94 V0

**Protection class (with power cables M6, 10 mm connected)**

IP56

**Option 1**

- 0 No option
- 1 Antipinching solution ("push only" actuator)

**Option 2**

- 0 No option
- 1 With back-up nut (for "push" load)

**Option 3**

- 0 No option
- 1 Motor with thermoswitch

**Customization**

- 000 Standard series





**ewellix.com**

© Ewellix

All contents of this publication are the property of Ewellix, and may not be reproduced or given to third parties (even extracts) without permission. Although great care has been taken in the production of this catalog, Ewellix does not take any responsibility for damage or other loss resulting from omissions or typographical errors. The photo may differ slightly in appearance from the actual product. Due to continuous improvements being made in our products, the product's appearance and specifications are subject to change without notice.

PUB NUM IL-07003/2-EN-November 2021