

EWELLIX

A Schaeffler Company

Operating switches





Operating switches

Up to 10 keys

Chapter contents

CAES 4
EHA1 6
EHA3 8
EHE1 10
HSM, HSF 12
PHC 14
PFP 16
ST 18
ST 20
STK 22
PAM 24

CAES

Hand switch

Benefits

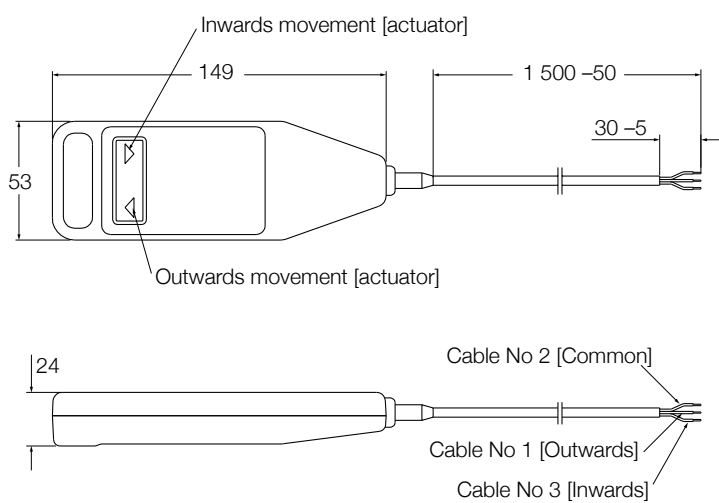
- Robust ergonomic design
- Membrane keyboard
- Clearly marked keys



Technical data

	Unit	CAES 31C
Max. operating channels	n°	1
Operating power	V DC/mA	30/33
Degree of protection	IP	54
Color	-	Black

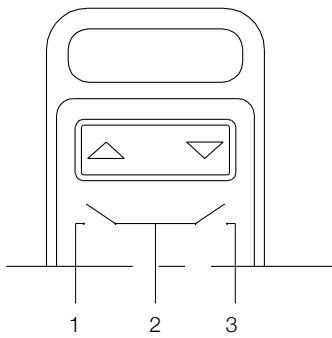
Dimensional drawing



Suitable control units

	Control units			
	CAED 3-24R	CAED 5-24R	CAED 9-24R	CAEV 110/220
CAES 31C	•	•	•	•

Connecting diagrams



Ordering key

CAES 31C (No connector, 2 buttons)

EHA1

Hand switch

Benefits

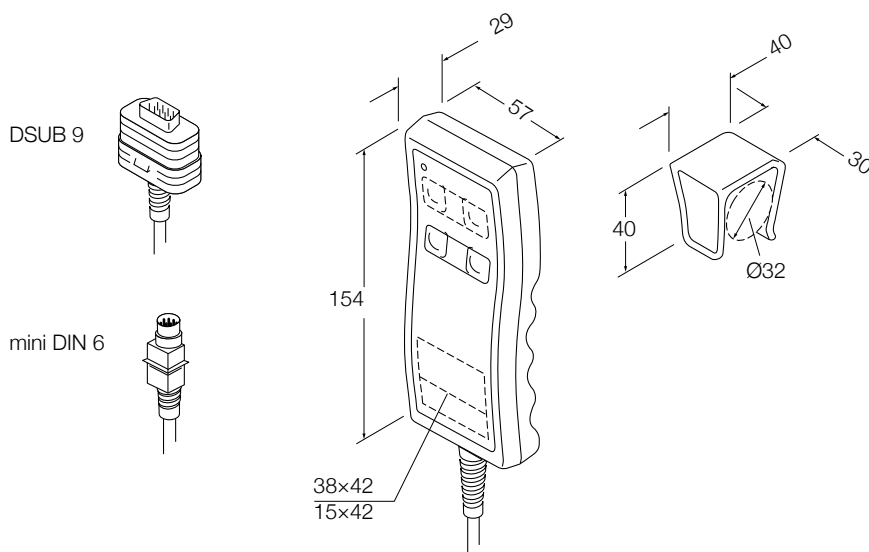
- Robust ergonomic design
- Tactile buttons, clearly marked
- Easy mountable fastening hook



Technical data

	Unit	EHA 1
Max. operating channels	n°	2
Operating power	V DC/mA	12/50
Degree of protection	IP	67
Color	-	Grey

Dimensional drawing



Suitable control units and linear actuators

	Linear actuators	Control units
	MAX7	MCU
EHA1	•	•

Accessories

Description	Designation	Order number
Hook with sticker	ZBG-145361-000	0125538

Ordering key

E H A 1 - 1 - N - 0 0 0

Type

Number of channels

- 1 1 channel
- 2 2 channels

Hook

- 1 Yes mounted with hook
- 2 Hook supplied separately

Cable / connecting plug

- B Coiled, 1,3 m/2,5 m / D-sub 9-pin plug
- C Straight 2,5 m (min DIN 6-pin plug)
- D Coiled 1,0 m/2,0 m (min DIN 6-pin plug)
- F Coiled 2,5 m/3,5 m / D-sub 9-pin plug

Symbols

- 00 None
- 10 1 channel: Head
- 20 2 channels: Arrow up/down

EHA3

Hand switch

Benefits

- Robust ergonomic design
- Tactile buttons, clearly marked
- Easy mountable fastening hook

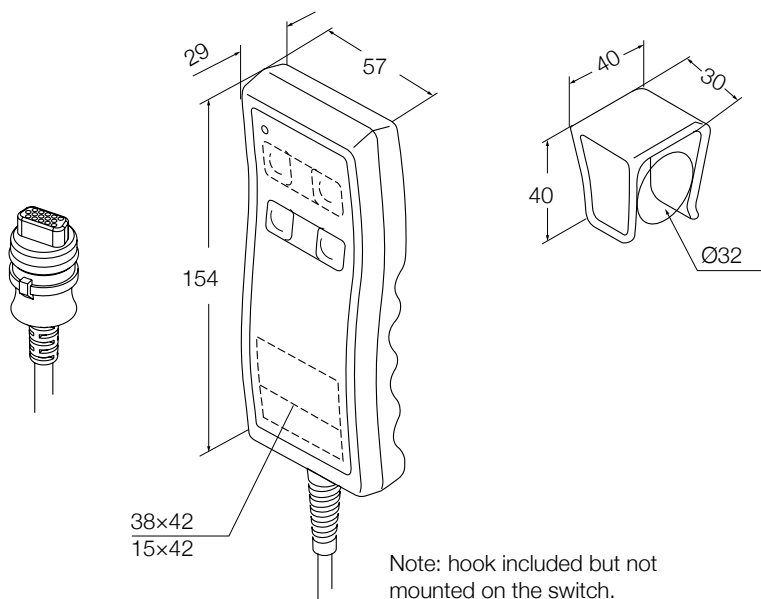


Technical data

	Unit	EHA 3
Max. operating channels	n°	5
Operating power	V DC/mA	12/50
Degree of protection	IP	67
Color	-	Grey
Cable: Coiled 1,3 m/2,5 m	-	D-sub 15-pin

Dimensional drawing

High density
D-Sub 15



Suitable control units and pillars

	Pillars		Control units							
	TFG 50	TFG 90	SCU 1	SCU 5	SCU 9	VCU 5	VCU 8	VCU 9	BCU 5	BCU 8
EHA3	•	•	•	•	•	•	•	•	•	•

Accessories

Description	Designation	Order number
Hook with sticker	ZBG-145361-000	0125538

Ordering keys

E H A 3 - 2 3 M - N - 0 0 0

Type

Number of channels

- 1 1 channel
- 2 2 channels
- 3 3 channels
- 4 **4 channels**
- 5 5 channels
- A 1 channel with 3 memory positions (only for SCU)
- B 2 channels with 3 memory positions (only for SCU)
- C 3 channels with 3 memory positions (only for SCU)

Symbols

- | | | |
|----|----------------------------------|------------------------------------|
| 00 | None | |
| 10 | 1 channel: 2nd row from top | Arrow up/down |
| 11 | | Head |
| 12 | | Foot |
| 13 | | Level |
| 14 | | Anti-Trendelenburg |
| 20 | 2 channels: 1st-2nd row from top | Arrow up/down |
| 21 | | Head/foot |
| 22 | | Head/level |
| 23 | | Level/head |
| 29 | | Level/Anti-Trendelenburg |
| 30 | 3 channels: 1st-3rd row from top | Arrow up/down |
| 31 | | Head/foot/level |
| 32 | | Level/head/foot |
| 39 | | Level/Anti-Trendelenburg/Head |
| 40 | 4 channels: 1st-4th row from top | Arrow up/down |
| 47 | | Level/Anti-Trendelenburg/Head/Foot |
| 50 | 5 channels: 1st-5th row from top | Arrow up/down |

EHE1

Hand switch

Benefits

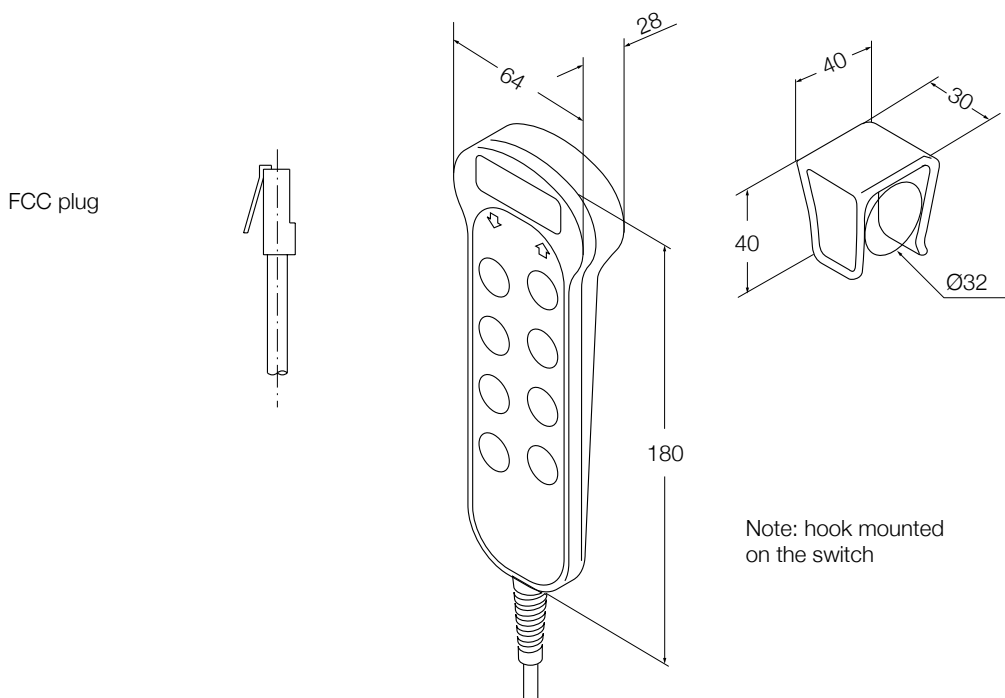
- Easy and precise
- Flexible and remote operation
- Ergonomic design



Technical data

	Unit	EHE 1
Max. operating channels	n°	2
Operating power	V DC/mA	38/50
Degree of protection	IP	×67
Color	-	Grey
Cable: Coiled 1,1 m/2,5 m	-	FCC plug

Dimensional drawing



Suitable control units and pillars

	Pillars				Control units	
	TXG 4 ¹⁾	TXG 5 ¹⁾	TXG 8 ¹⁾	TXG 9 ¹⁾	SEM1 2	SEM1 4
EHE1	•	•	•	•	•	•

¹⁾ Only with FCC plug

Accessories

Description	Designation	Order number
Hook	ZBG-145361-000	0125538

Ordering key

E H E 1 - 1 B 1 B - 0 0 0

Type

Number of channels

- 1 1 channel
- 2 2 channels

Symbols

- 10 1 channel: Arrow up/down
- 20 2 channels: Arrow up/down

HSM, HSF

Hand switch

Benefits

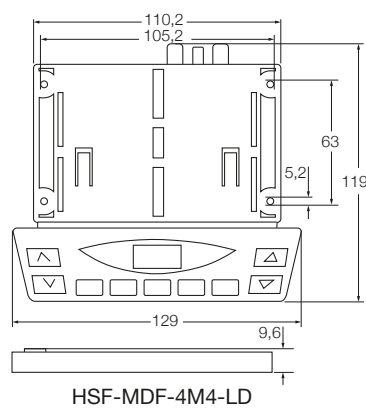
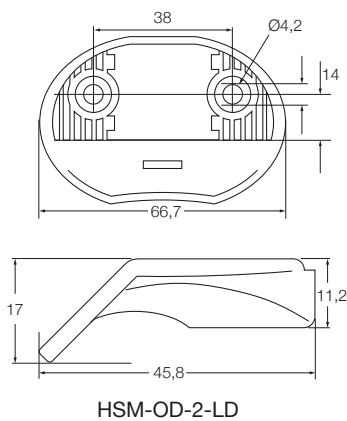
- Easy and precise
- Stylish design
- Different functions



Technical data

	Unit	HSM-OD-2-LD	HSF-MDF-4M4-LD
Max. operating channels	n°	1	1 or 2
Operating power	V DC/mA	5/50	5/50
Degree of protection	IP	32	32
Color	-	Black	Black

Dimensional drawing



Suitable control units and columns

	Control units
	COMPACT
HSM-OD-2-LD	•
HSF-MDF-4M4-LD	•

Ordering key

HSM-OD-2-LD (DIN7 plug)
HSF-MDF-4M4-LD (DIN7 plug)

PHC

Hand switch

Benefits

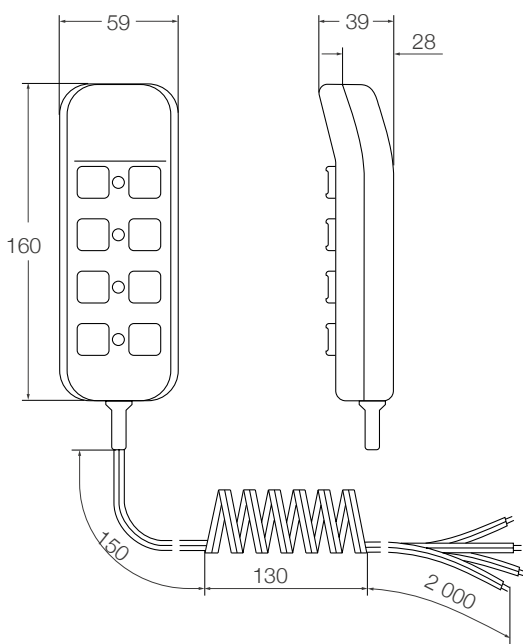
- Easy and precise
- Flexible and remote operation
- Ergonomic design



Technical data

	Unit	PHC
Max. operating channels	n°	4
Operating power	V DC/mA	N/A
Degree of protection	IP	66
Color	-	Grey

Dimensional drawing



Suitable linear actuators and pillars

	Linear actuators		Pillars		
	MAX 7	MAX 7	TLC pneumatic	TGC pneumatic	THC pneumatic
PHC	•	•	•	•	•

Ordering key

- PHC 1 – 130517 (1 channel with arrows up/down, without hook)
- PHC 2 – 130625 (2 channels with arrows up/down, without hook)
- PHC 3 – 130756 (3 channels with arrows up/down, without hook)
- PHC 4 – 130955 (4 channels with arrows up/down, without hook)

Other symbols / with hook on demand.

PFP

Foot switch

Benefits

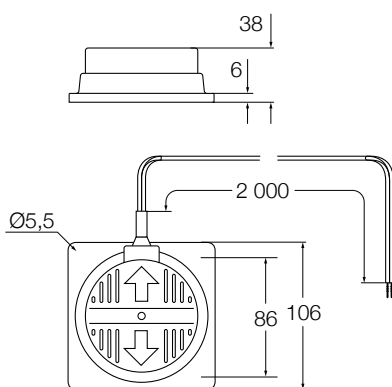
- Robust ergonomic design
- Easy and precise
- Flexible and remote operation



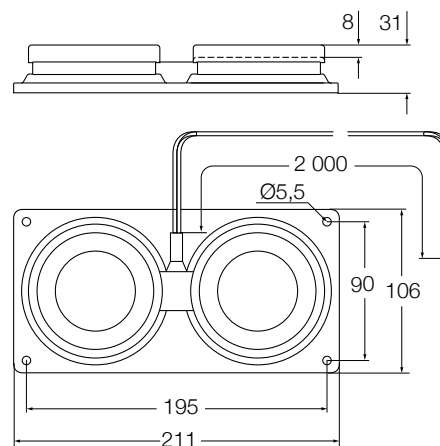
Technical data

	Unit	PFP 1K	PFP 1
Max. operating channels	n°	1	1
Operating power	V DC/ mA	N/A	N/A
Degree of protection	IP	21	21
Color	-	Grey	Anthracite

Dimensional drawing



PFP 1K-130652



PFP 1-121545

Suitable linear actuators and pillars

	Linear actuators		Pillars		
	MAX 7	MAX 7	TLC pneumatic	TGC pneumatic	THC pneumatic
PFP	•	•	•	•	•

Ordering key

PFP 1K – CAES 31C (No connector, 2 buttons) 130652
 PFP 1 – 121545

Other versions on request.

ST

Foot switch

Benefits

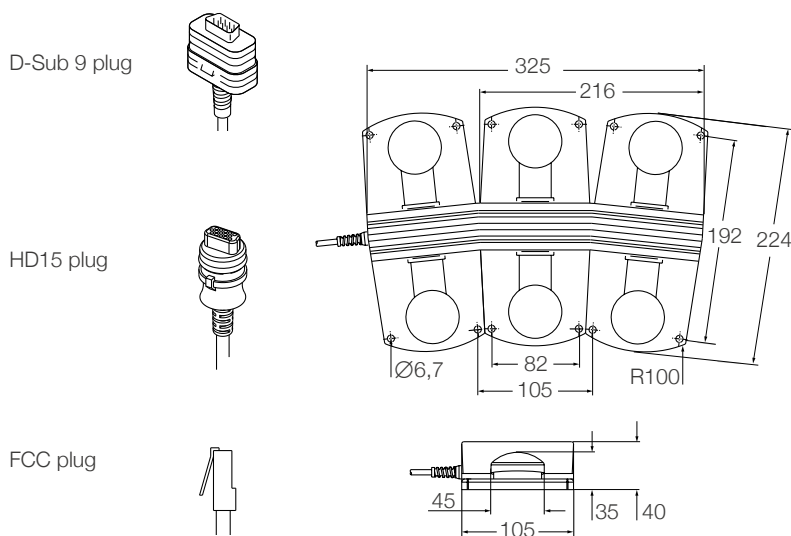
- Easy and precise
- Ergonomic design
- Different plug options



Technical data

	Unit	ST
Max. operating channels	n°	3
Operating power	V DC/mA	12/50
Degree of protection	IP	×5
Color	–	Blue/anthracite

Dimensional drawing



Suitable pillars, linear actuators and control units

	Pillars		Linear Actuators	Control units								
	TFG 50/90	TXG 4/5/8/9 ¹⁾	MAX 7	SCU 1	SCU 5	SCU 9	VCU 5	VCU 8	VCU 9	BCU 5	BCU 8	MCU
STJ	•			•	•	•	•	•	•	•	•	
STF		•	•									•

¹⁾ Only with FCC plug

Accessories

Description	Designation	Order number
Rubber feet (100 pcs.)	ZBE-135310	0102879
Sticker arrow up	ZKL-135309-0001	0124871
Sticker arrow down	ZKL-135309-0002	0124870

Ordering key



Type

Product group:

- F Classic, D-Sub9 or FCC plug
- J Standard, single-fault safety, HD15 plug

Number of channels:

- 1 One (1) channel
- 2 Two (2) channels
- 3 Three (3) channels

Cable / connecting plug:

- LU Coiled cable 1,3-2,5 m / D-sub plug
- LW Coiled cable 1,3-2,5 m / HD15 plug
- OU Straight cable 2,5 m / D-sub plug
- OV Straight cable 2,5 m / FCC plug (only for STF01 and STF02)
- OW Straight cable 2,5 m / HD15 plug

Color:

- 1 Anthracite
- 4 Blue

Option:

- 000 None
- MAY Mounted with rubber feet

Symbols:

- X1 Arrow up/down (on each pair of buttons), 1-3 channels
- 37 Arrow up/down, M/1, 2/3 (3 memory buttons) only for STJ03

ST

Desk switch

Benefits

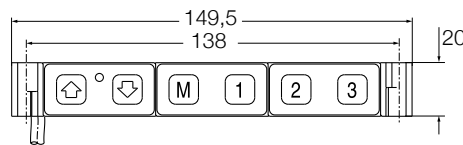
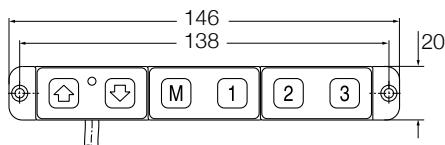
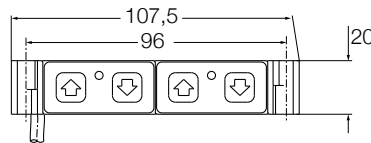
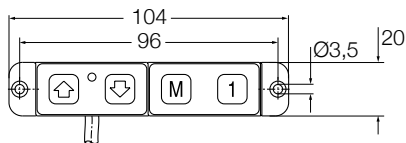
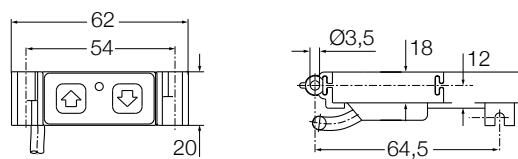
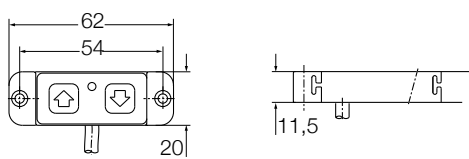
- Easy and precise
- Stylish design
- Memory position



Technical data

	Unit	ST
Max. operating channels	n°	3
Operating power	V DC/mA	12/50
Degree of protection	IP	x0
Color	-	Black

Dimensional drawing



STA straight

STA 90°

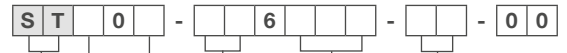
Suitable pillars, linear actuators and control units

	Pillars ¹⁾		Linear Actuators ¹⁾	Control units								
	TFG 50/90	TXG 4/5/8/9 ²⁾	MAX 7	SCU 1	SCU 5	SCU 9	VCU 5	VCU 8	VCU 9	BCU 5	BCU 8	MCU
STA		•	•									•
STE	•			•	•	•	•	•	•	•	•	

¹⁾ With integrated control units

²⁾ Only with FCC plug

Ordering key



Type

Product group:

- A Classic, D-Sub9 or FCC plug
- E Standard, single-fault safety wiring, HD15 plug

Number of channels:

- 1 One (1) channel
- 2 Two (2) channels
- 3 Three (3) channels

Cable / connecting plug:

- 0U Straight cable 2,5 m / D-sub plug
- WV Straight cable 1,5 m / FCC plug
- 0W Straight cable 2,5 m / HD15 plug

Option:

- 000 No option
- MAU Mounted on or underneath desktop, at a 90° angle

Symbols:

- X1 Up/down arrow on each pair of keys (1-3 channels)
- 37 Up/down arrow, 3 memory functions M/1, M/2, M/3 (3 channels)

STK

Desk switch

Benefits

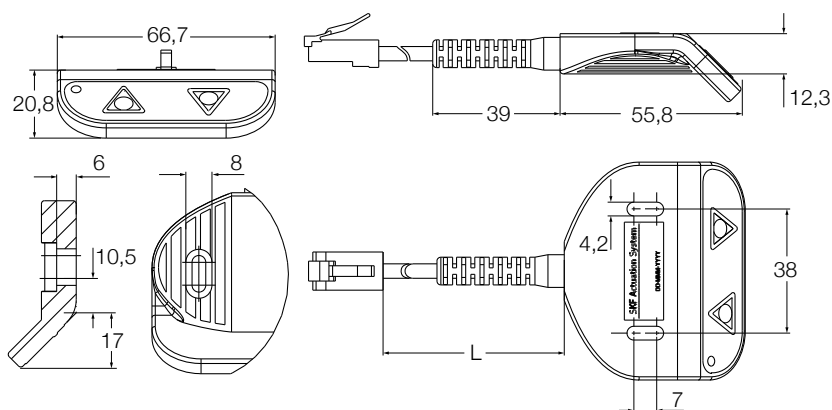
- Easy and precise
- Stylish design
- Tactile buttons with finger guide
- 2 colors LED for power and feedback status



Technical data

	Unit	STK
Max. operating channels	n°	1
Operating power	V DC/mA	12/50
Color	-	Grey
Indicator	-	2 colors LED for power and feedback status
Plug	-	RJ45
Symbols	-	with arrows up/down

Dimensional drawing



	STK01-SW3000-X100	STK01-UW3000-X100
L [mm]	500	1 000

Suitable pillars and accessories

	Pillars		Socket boxes		
	CPMA1-1	CPMA1-2	CPMA2-2	ZDV-348220-002	ZDV-348221-002
STK01-SW3000-x100	•	•	•	•	•
STK01-UW3000-x100	•	•	•	•	•

Ordering key

Description	Part number	Order number
Desk switch with LED, cable 0,5 m	STK01-SW3000-x100	130025
Desk switch with LED, cable 1 m	STK01-UW3000-x100	130026

PAM

Pneumatic desk switch

Benefits

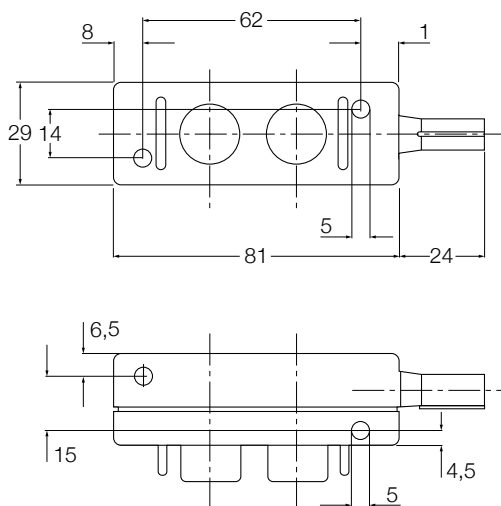
- Operation with air (no electricity)
- Stylish design



Technical data

	Unit	PAM -130256
Max. operating channels	n°	1
Operating power	V DC/ mA	N/A
Degree of protection	IP	N/A
Tube	-	Straight, 1,50 m
Color	-	Anthracite

Dimensional drawing

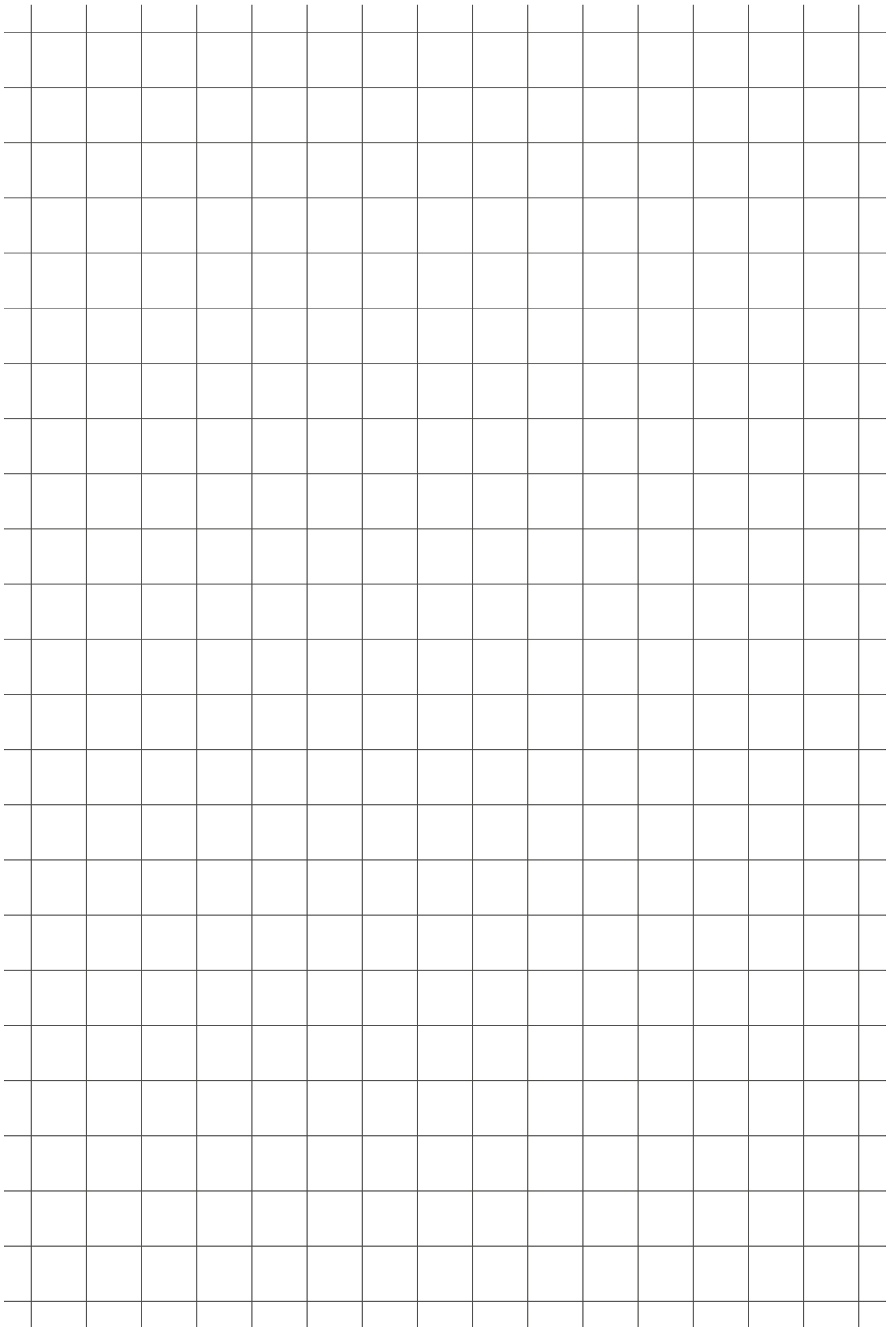


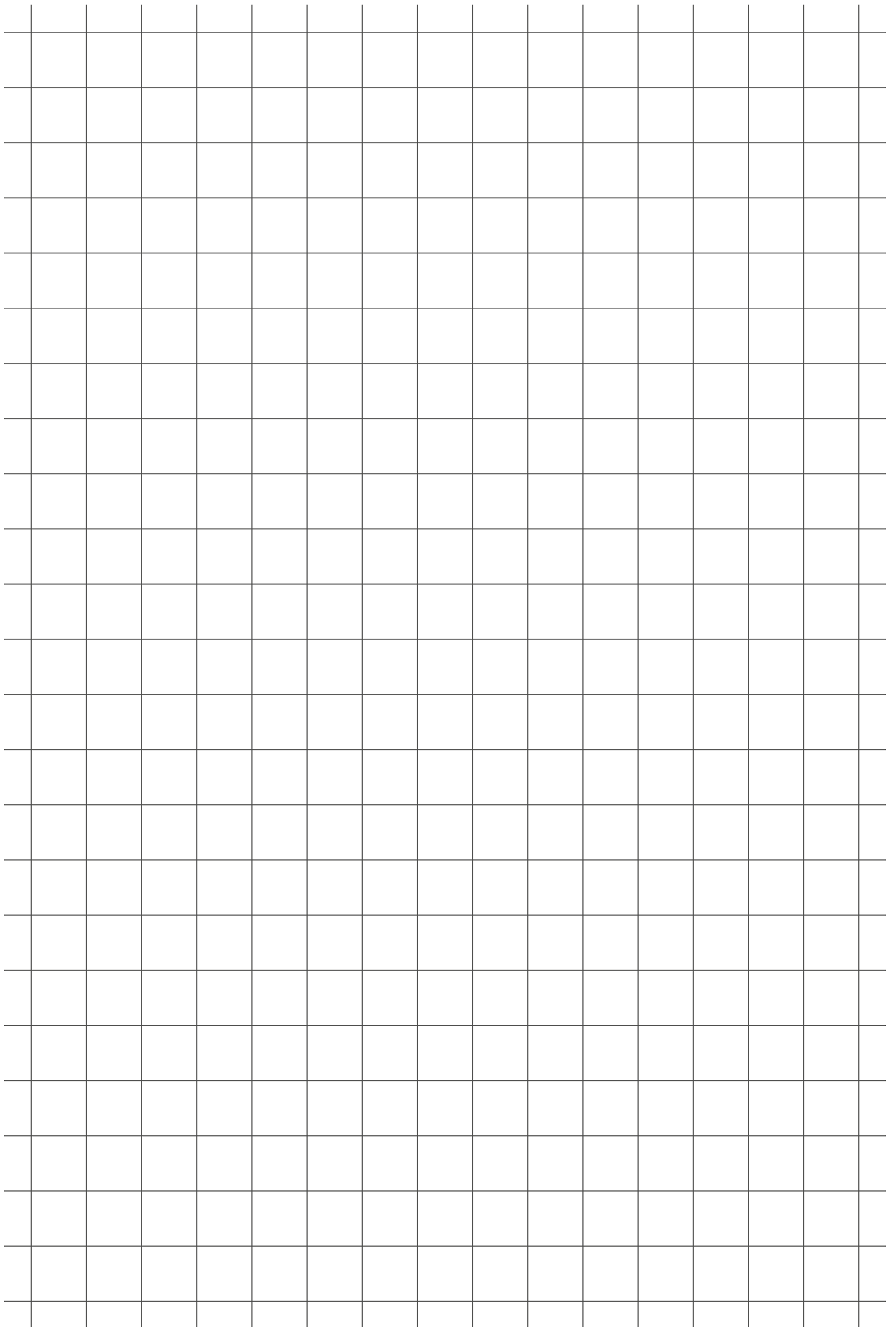
Suitable linear actuators and control units

	Linear actuators		Control units		
	MAX7	MAX7	TLC pneumatic	TGC pneumatic	THC pneumatic
PAM	•	•	•	•	•

Ordering key

PAM-130256







ewellix.com

© Ewellix

All contents of this publication are the property of Ewellix, and may not be reproduced or given to third parties (even extracts) without permission. Although great care has been taken in the production of this catalog, Ewellix does not take any responsibility for damage or other loss resulting from omissions or typographical errors. The photo may differ slightly in appearance from the actual product. Due to continuous improvements being made in our products, the product's appearance and specifications are subject to change without notice.

PUB IL-06009/3-EN-April 2022