

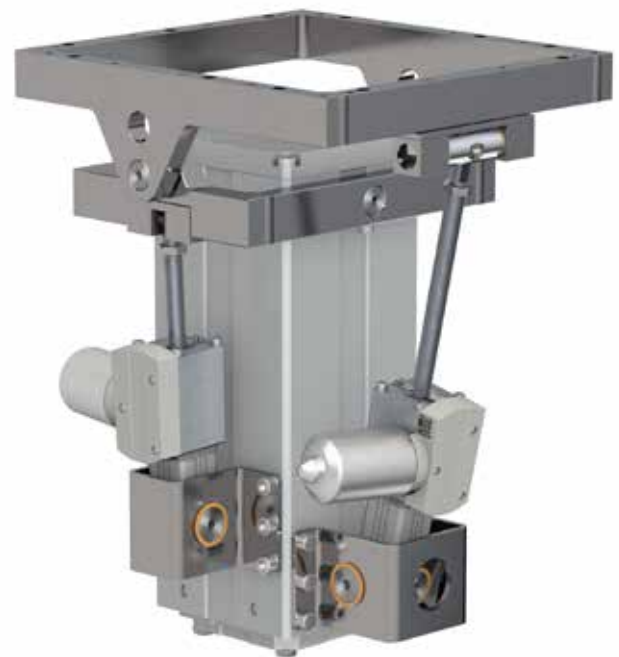
# Go for simplicity. Electro-mechanical 3-axis module.

For surgical tables and procedure chairs



CAMT linear actuators

CPMT telescopic pillar  
Control unit and operating switch



## Surgical Module

### Challenges

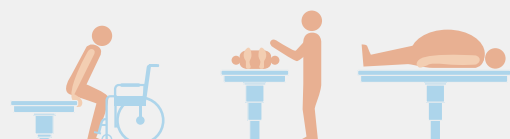
Manufacturers are challenged with the integration of all drive components into a very compact space, while meeting high performance requirements of harmonized motions, low entry height with high stroke, and high tilt angles.

### Ewellix Solution

The surgical module delivers a system with a telescopic pillar, two tilting actuators, a smart controller and handset. The module enables an accelerated time to market by reducing your design and testing efforts.

## Benefits

- Simplicity – ready to use 3-axis solution; plug and play
- Extra comfort: play-free; high rigidity full flexibility: low entry height with high stroke; high tilt angles
- Maintenance-free; no oil leakage
- Safety first: self-lock and adjustable mechanical hard end stop
- Conforms to with medical standards



## Simplicity

Save time on design development and reduce risk with our surgical module as a solution for surgical tables and procedure chairs.

## Extra comfort

Feel the smooth movement introduced by our surgical module with play-free tilting actuators and a high stiffness pillar.

Safety is the most important part of the design of the CAMT module: 4 x static safety factor, self-locking, backup nut and limit switch, all helping it meet the highest safety standards.

## Maintenance free; No oil leakage

The surgical module is truly maintenance-free for its life-cycle compared to traditional hydraulic systems which need frequent check-ups.

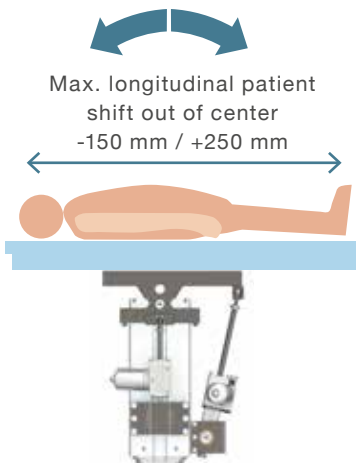
No more leakage of oil from the hydraulic system which uses our electromechanical module.

## Customization of surgical module

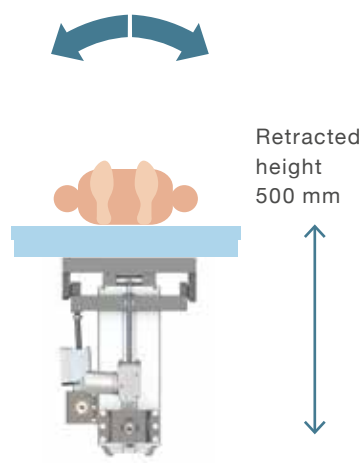
Working closely with our customers, we offer customization of surgical modules to meet your requirements.



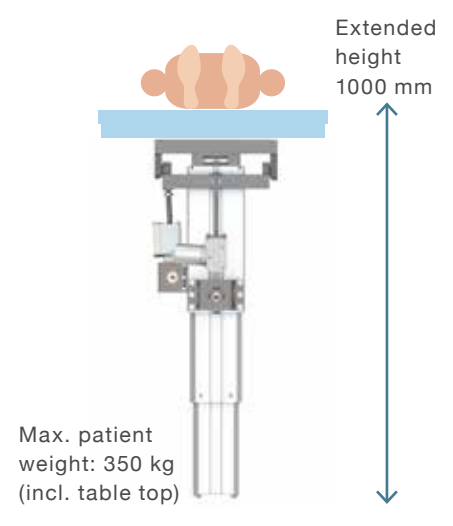
Longitudinal tilt (Trendelenburg)  
-/+ 45°



Lateral tilt  
-/+ 30°



Extended height  
1000 mm



[ewellix.com](http://ewellix.com)

© Ewellix

All contents of this publication are the property of Ewellix, and may not be reproduced or given to third parties (even extracts) without permission. Although great care has been taken in the production of this catalog, Ewellix does not take any responsibility for damage or other loss resulting from omissions or typographical errors. The photo may differ slightly in appearance from the actual product. Due to continuous improvements being made in our products, the product's appearance and specifications are subject to change without notice.