

Go for simplicity. A new, play-free actuator CAMT.

A smart design for surgical tables and
procedure chairs



Front attachment: play-free Rear attachment: play-free



Play-free CAMT actuators

Developed with a unique design to assist you with the most demanding parts of surgical table manufacturing.

Other actuators shake when the direction changes; the CAMT moves smoothly in every direction thanks to the play-free/backlash-free feature.

It can be installed as a single actuator or be combined with a pillar (e.g. CPMT) to achieve combined motions in any direction.

Benefits

- Smart design* with front and rear attachments
- Extra comfort from play-free/backlash-free
- Simplicity - Easy to install, plug-and-play
- Maintenance-free; no oil leakage
- Safety first: self-lock and adjustable mechanical hard end stop
- Conform to medical standards
- Free combination as a surgical module

* Patent pending

Installation

Plug-and-play

Easy installation thanks to the new design with extra front and rear attachments that provide 1 or 2 degrees of freedom. Ready to mount. Encoder, limit switches are built in as standards.

When in motion

Extra patient comfort

Smooth movement thanks to the play-free components.

Safety

It's the most important feature of the CAMT design: a 4 x static safety factor, self-locking, backup nut and limit switch.

When in use

Maintenance-free

CAMT actuators are truly maintenance-free compared to traditional hydraulic systems that need more frequent maintenance checks.

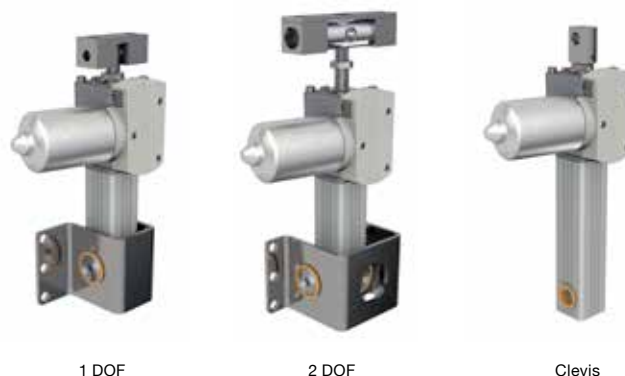
No oil leakage, easy to clean

This electromechanical module eliminates the potential of oil leakage that can occur with hydraulic systems.

Customized products and solutions

Working closely with our customers, we offer customized products and solutions with the highest quality thanks to our dedicated team of engineers.

CAMT configuration examples



1 DOF

2 DOF

Clevis

Surgical module



Technical data

	Unit	CAMT
Rated load (push and pull)	N	6 000
Speed (full load to no load)	mm/s	5 to 6,5
Safety factor at rated load	-	4
Stroke	mm	50 to 250
Retracted length (1 dof; 2 dof; Clevis)	mm	330; 360; 390
Voltage	V	24
Current	A	10

ewellix.com

© Ewellix

All contents of this publication are the property of Ewellix, and may not be reproduced or given to third parties (even extracts) without permission. Although great care has been taken in the production of this catalog, Ewellix does not take any responsibility for damage or other loss resulting from omissions or typographical errors. The photo may differ slightly in appearance from the actual product. Due to continuous improvements being made in our products, the product's appearance and specifications are subject to change without notice.