

Curved rail guide in agriculture vehicle

Ergonomic solution for combine harvesters and tractors

The ergonomic solution

Into the modern harvesters, the farmer has a complete control of all functions using a touch screen interface. For this reason an adaptive, ergonomics and easier adjustable solution allow increase productivity and reduce tiredness. To satisfy this needs Ewellix propose, as part of a strategic project for a “common cab” design for combines or tractors, a rail solution that follow the curve of the control panel.

The rail consists of a black anodized aluminum bar while the moving carriage contains a special friction brake to provide consistent rolling torque and is completely customizable.



Comfort and safety

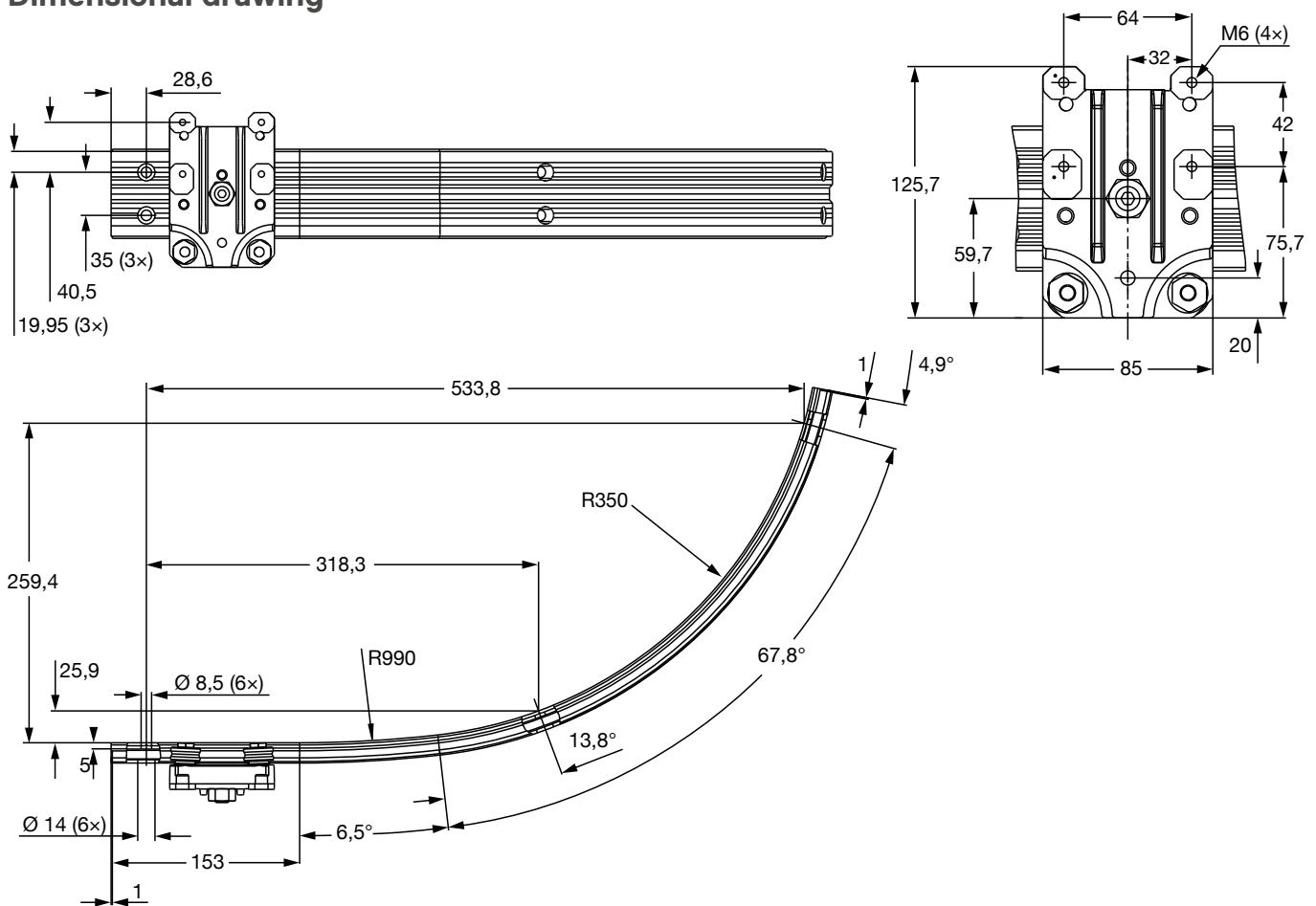
Adjustable positions offer better overview of machine data and machine working area, increasing safety during machine operation.

Moreover easy adjustable position with defined friction force, increase comfort and ergonomics and result easy to use.

Benefits

- Operator adjustable control panel
- Visually and ergonomic pleasing solution
- Follows the contour of the existing cab design
- Increasing safety during machine operation
- Solution withstanding rough environment
- Made out of standardized components

Dimensional drawing



Technical data

	Unit	Curved rail guide
Rail length	mm	to be determined by customer
Rail radius	°	to be determined by customer
Rail fixing points	-	3 points, with each 2 fixing screws or on request
Rail dimension in height	mm	72,4
Rail dimension in width	mm	16,5
Carriage dimension in height	mm	125,7
Carriage dimension in width	mm	85
System dimension in depth	mm	50
Rail and carriage color	-	black
Dynamic load carrying capacity	N	60
Miss use of system (y)	Nm	75
Friction force of carriages	N	40
Corrosion protected system	-	to be defined

Application

Tractor seat



ewellix.com

© Ewellix

All contents of this publication are the property of Ewellix, and may not be reproduced or given to third parties (even extracts) without permission. Although great care has been taken in the production of this catalog, Ewellix does not take any responsibility for damage or other loss resulting from omissions or typographical errors. The photo may differ slightly in appearance from the actual product. Due to continuous improvements being made in our products, the product's appearance and specifications are subject to change without notice.